

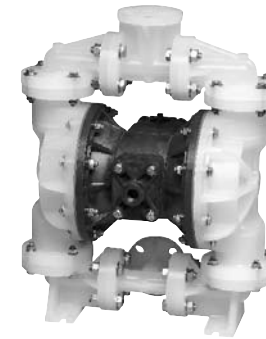
# SERVICE & OPERATING MANUAL



## Model S1F Non-Metallic Design Level 3

### Table of Contents

Engineering Data and Temperature Limitations.....	1
Explanation of Pump Nomenclature.....	2
Performance Curve, Model S1F Non-Metallic Design Level 3.....	3
Dimensions: S1F Non-Metallic.....	4
Metric Dimensions: S1F Non-Metallic.....	5
Dimensions: S1F Spill Containment.....	6
Metric Dimensions: S1F Spill Containment.....	7
Principle of Pump Operation.....	8
Installation and Start-up.....	8
Air Supply.....	8
Air Valve Lubrication.....	8
Air Line Moisture.....	8
Air Inlet and Priming.....	8
Between Uses.....	8
Installation Guide.....	9
Important Safety Information.....	10
Material Codes.....	11
Troubleshooting.....	12
Warranty.....	12
Composite Repair Parts Drawing.....	14
Overlay Option Drawing.....	14
Composite Repair Parts List.....	15
Spill Containment Option for Virgin PTFE Equipped Pumps.....	16
Spill Containment Repair Parts List.....	16
Spill Containment Concept.....	17
Spill Containment Option Diaphragm Servicing.....	17
Filling Spill Containment Chambers with Liquid.....	17
Spill Containment Option for TPE Equipped Pumps.....	18
Spill Containment Repair Parts List.....	18
Spill Containment Concept with TPE Diaphragms.....	19
Spill Containment Option with TPE Diaphragm.....	19
Air Distribution Valve Assembly Drawing.....	20



II 2GD T5

U.S. Patent #  
400,210  
5,996,627  
6,241,487

Main Air Valve Assembly Parts List.....	20
Air Distribution Valve Servicing.....	21
Air Distribution Valve with Stroke Indicator Options.....	22
Air Distribution Valve with Stroke Indicator Parts List.....	22
Air Distribution Valve with Stroke Indicator Servicing.....	23
Solenoid Shifted Air Valve Drawing.....	24
Solenoid Shifted Air Valve List.....	24
Solenoid Shifted Air Distribution Valve Option.....	25
Diaphragm Service Drawing, Non-Overlay.....	26
Diaphragm Service Drawing, with Overlay.....	26
Diaphragm Servicing.....	27
Overlay Diaphragm Service.....	27
Pilot Valve Servicing, Assembly Drawing & Parts List.....	28
Pumping Hazardous Liquids.....	29
Converting the pump for piping the exhaust air.....	29
Exhaust Conversion Drawing.....	29
Converted Exhaust Illustration.....	29
Modular Check Valve Servicing.....	30
Modular Check Valve Drawing.....	30
Dual Port Option Drawing.....	31
Dual Porting Options.....	32
Dual porting of both suction and discharge ends of the pump.....	32
Single porting of the suction and dual porting of the pump discharge.....	32
Dual porting of the suction and single porting of the pump discharge.....	32
Leak Detection Options Drawing.....	33
Electronic Leak Detector Installation.....	33
Mechanical Leak Detector Installation.....	33
Pulse Output Kit Drawing.....	34
Pulse Output Kit Option.....	34
Optional Muffler Configurations, Drawing.....	35
Grounding The Pump.....	36
CE Declaration of Conformity.....	37

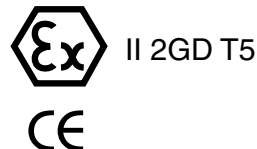
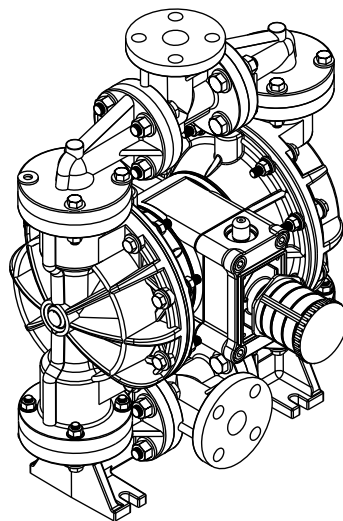


**WARREN  
RUPP®**

Quality System  
ISO9001 Certified

Environmental  
Management System  
ISO14001 Certified

**IDEX**  
FLUID & METERING



U.S. Patent #5,996,627;  
400,210; 6,241,487  
Other U.S. Patents  
Applied for

**SANDPIPER®**  
A WARREN RUPP PUMP BRAND

**S1F Non-Metallic  
Design Level 3**

**Ball Valve**

**Air-Operated  
Double Diaphragm Pump**

ENGINEERING, PERFORMANCE  
& CONSTRUCTION DATA

INTAKE/DISCHARGE PIPE SIZE 1" ANSI Flange or PN10 25mm DIN Flange	CAPACITY 0 to 45 gallons per minute (0 to 170 liters per minute)	AIR VALVE No-lube, no-stall design	SOLIDS-HANDLING Up to .25 in. (6mm)	HEADS UP TO 100 psi or 231 ft. of water (7 bar or 70 meters)	DISPLACEMENT/STROKE .17 gallon / .64 liter
<b>⚠ CAUTION! Operating temperature limitations are as follows:</b>					
<b>Materials</b>				<b>Operating Temperatures</b>	
				<b>Maximum*</b>	<b>Minimum*</b>
<b>Santoprene®:</b> Injection molded thermoplastic elastomer with no fabric layer. Long mechanical flex life. Excellent abrasion resistance.				275°F 135°C	-40°F -40°C
<b>Virgin PTFE:</b> Chemically inert, virtually impervious. Very few chemicals are known to react chemically with PTFE: molten alkali metals, turbulent liquid or gaseous fluorine and a few fluoro-chemicals such as chlorine trifluoride or oxygen difluoride which readily liberate free fluorine at elevated temperatures.				220°F 104°C	-35°F -37°C
<b>PVDF</b>				250°F 121°C	0°F -18°C
<b>Polypropylene</b>				180°F 82°C	32°F 0°C
<b>Nitrile:</b> General purpose, oil-resistant. Shows good solvent, oil, water and hydraulic fluid resistance. Should not be used with highly polar solvents like acetone and MEK, ozone, chlorinated hydrocarbons and nitro hydrocarbons.				190°F 88°C	-10°F -23°C
<b>Neoprene:</b> All purpose. Resistant to vegetable oil. Generally not affected by moderate chemicals, fats, greases and many oils and solvents. Generally attacked by strong oxidizing acids, ketones, esters, nitro hydrocarbons and chlorinated aromatic hydrocarbons.				200°F 93°C	-10°F -23°C
<b>FKM (Fluorocarbon):</b> Shows good resistance to a wide range of oils and solvents; especially all aliphatic, aromatic and halogenated hydrocarbons, acids, animal and vegetable oils. Hot water or hot aqueous solutions (over 70°F) will attack FKM.				350°F 177°C	-40°F -40°C

For specific applications, always consult the Warren Rupp "Chemical Resistance Chart"

**SANDPIPER® pumps are designed to be powered only by compressed air.**

# Explanation of Pump Nomenclature

## S1F Non-Metallic · Design Level 3 · Ball Valve

Model	Pump Brand	Pump Size	Check Valve Type	Design Level	Wetted Material	Diaphragm/Check Valve Materials	Check Valve Seat	Non-Wetted Material Options	Porting Options	Pump Style	Pump Options	Kit Options	Shipping Weight lbs. (kg)
S1FB3P1PPUS000.	S	1F	B	3	P	1	P	P	U	S	0	00.	42 (19)
S1FB3P2PPUS000.	S	1F	B	3	P	2	P	P	U	S	0	00.	42 (19)
S1FB3PBPPUS000.	S	1F	B	3	P	B	P	P	U	S	0	00.	42 (19)
S1FB3PGPPUS000.	S	1F	B	3	P	G	P	P	U	S	0	00.	42 (19)
S1FB3PNPPUS000.	S	1F	B	3	P	N	P	P	U	S	0	00.	42 (19)
S1FB3K1KPUS000.	S	1F	B	3	K	1	K	P	U	S	0	00.	54 (24)
S1FB3K2KPUS000.	S	1F	B	3	K	2	K	P	U	S	0	00.	54 (24)
S1FB3P3PPUV000.	S	1F	B	3	P	3	P	P	U	V	0	00.	48 (22)
S1FB3K3KPUV000.	S	1F	B	3	K	3	K	P	U	V	0	00.	64 (29)
S1FB3P4PPUV000.	S	1F	B	3	P	4	P	P	U	V	0	00.	48 (22)
S1FB3K4KPUV000.	S	1F	B	3	K	4	K	P	U	V	0	00.	64 (29)

### Pump Brand

S= SANDPIPER®

### Pump Size

1F= 1" Full Flow

### Check Valve Type

B= Ball

### Design Level

3= Design Level 3

### Wetted Material

K= PVDF

P= Polypropylene

▲ C= Conductive Polypropylene

▲ V= Conductive PVDF

### Diaphragm Check Valve Materials

1= Santoprene/Santoprene

2= PTFE Santoprene Backup/PTFE

3= PTFE Pumping, PTFE-Santoprene Backup Driver/PTFE

4= Santoprene Pumping/Santoprene

B= Nitrile/Nitrile

G= PTFE-Neoprene Backup/PTFE

N= Neoprene/Neoprene

V= FKM/FKM

### Diaphragm Check Valve Materials, Continued

Y= PTFE Pumping/One-Piece Bonded Driver/PTFE

Z= One-Piece Bonded/PTFE

### Check Valve Seat

K= PVDF

P= Polypropylene

### Non-Wetted Material Options

P= Polypropylene

1= 40% Glass Filled Polypropylene with PTFE hardware

▲ C= Conductive Polypropylene

### Porting Options

U= Universal (Fits ANSI and DIN)

7= Dual Porting (ANSI)

8= Top Dual Porting (ANSI)

9= Bottom Dual Porting (ANSI)

### Pump Style

D= With Electronic Leak Detection (110 V)

E= With Electronic Leak Detection (220V)

M= With Mechanical Leak Detection

S= Standard

V= With Visual Leak Detection

### Pump Options

▲ 0= None

1= Sound Dampening Muffler

2= Mesh Muffler

3= High temperature Air Valve w/Integral Muffler

4= High temperature Air Valve w/Sound Dampening Muffler

5= High temperature Air Valve w/Mesh Muffler

▲ 6= Metal Muffler

▲ 7= Metal Muffler with Grounding Cable

### Kit Options

▲ 00.= None

P0.= 10-30VDC Pulse Output Kit

▲ P1.= Intrinsically-Safe

5-30VDC, 110/120VAC, 220/240VAC Pulse Output Kit

### Kit Options, Continued

P2.= 110/120 or 220/240VAC Pulse Output Kit

E0.= Solenoid Kit with 24VDC Coil

▲ E1.= Solenoid Kit with 24VDC Explosion-Proof Coil

E2.= Solenoid Kit with 24VAC/12VDC Coil

▲ E3.= Solenoid Kit with 12VDC Explosion-Proof Coil

E4.= Solenoid Kit with 110VAC Coil

▲ E5.= Solenoid Kit with 110VAC, 60 Hz Explosion-Proof Coil

E6.= Solenoid Kit with 220VAC Coil

▲ E7.= Solenoid Kit with 220VAC, 60 Hz Explosion-Proof Coil

▲ E8.= Solenoid Kit with 110VAC, 50 Hz Explosion-Proof Coil

▲ E9.= Solenoid Kit with 230VAC, 50 Hz Explosion-Proof Coil

SP.= Stroke Indicator Pins

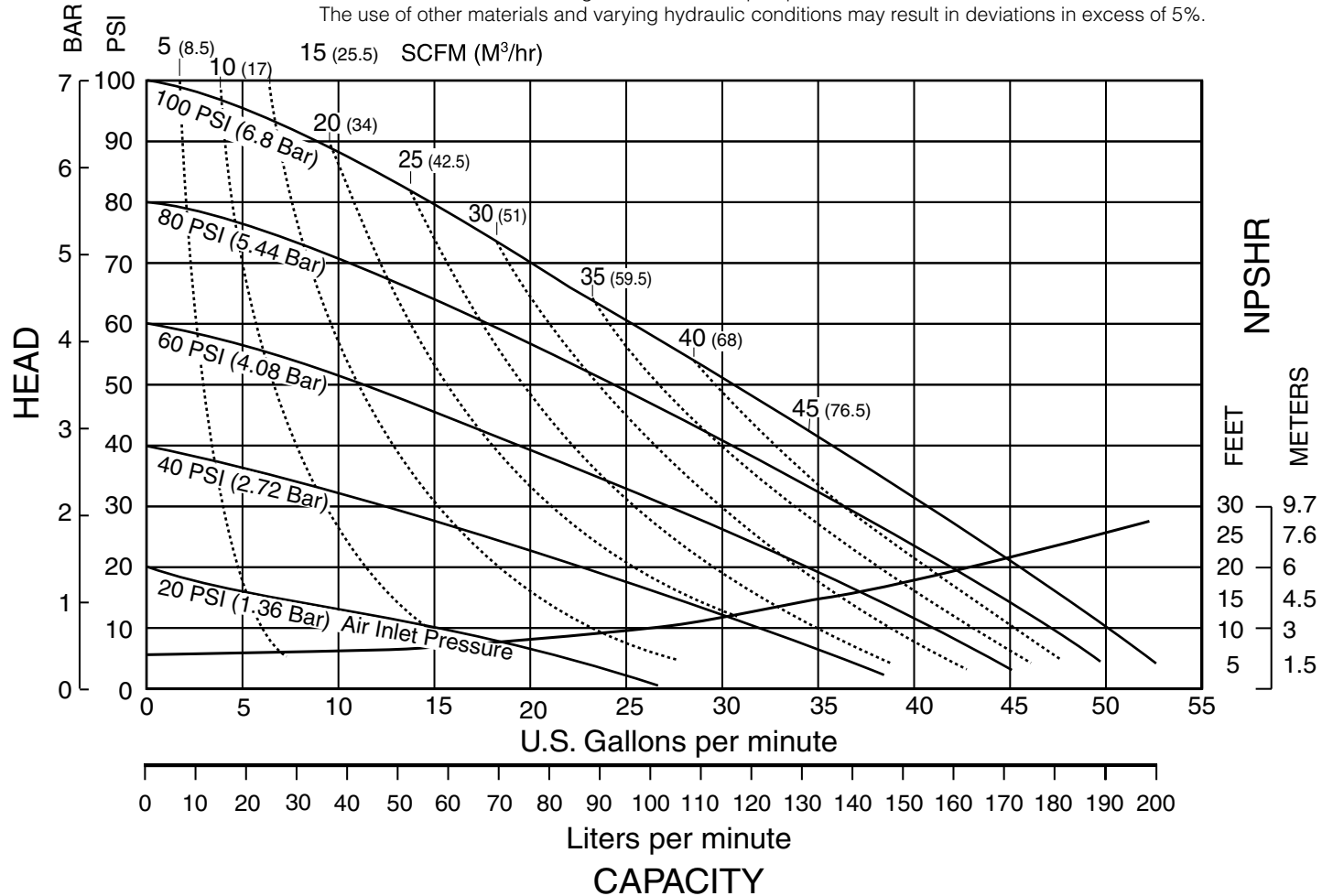


**Note: Pumps are only ATEX compliant when ordered with wetted options C or V, non-wetted option C, pump options 6 or 7, and kit options 00, P1, E1, E3, E5, E7, E8 or E9.**

# Performance Curve, Model S1F Non-Metallic Design Level 3

## MODEL S1F Non-Metallic Performance Curve

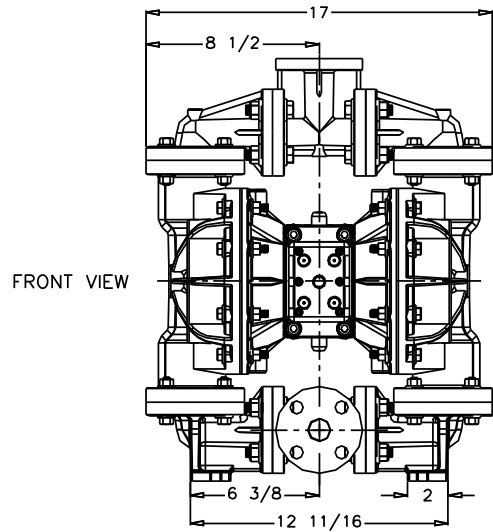
Performance based on the following: elastomer fitted pump, flooded suction, water at ambient conditions.  
The use of other materials and varying hydraulic conditions may result in deviations in excess of 5%.



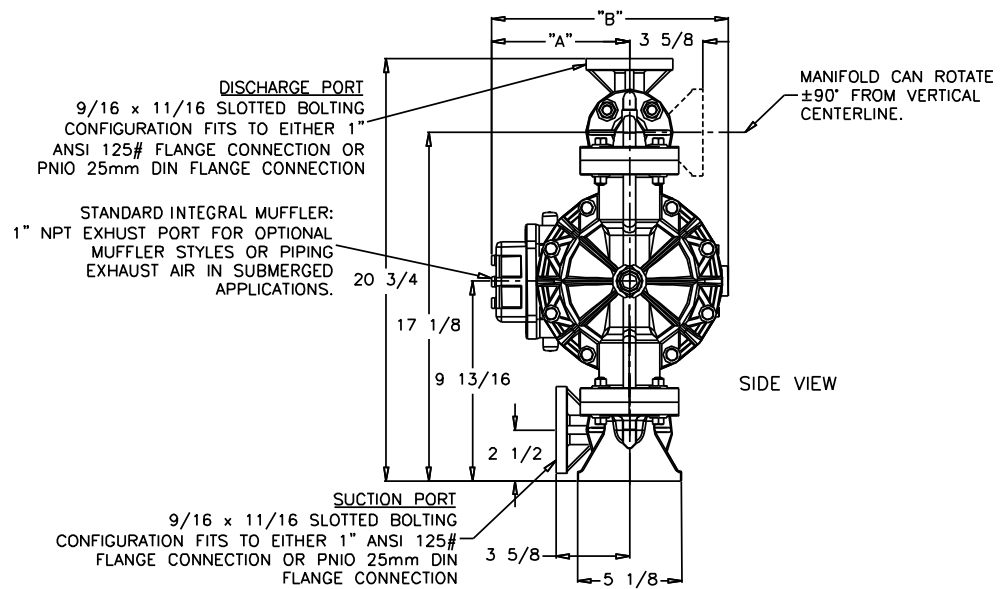
# Dimensions: S1F Non-Metallic

Dimensions in Inches

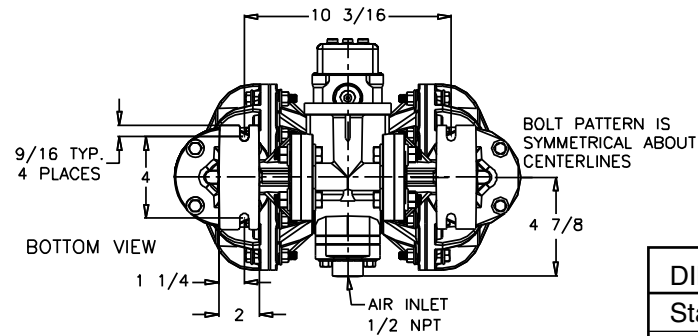
Dimensional tolerance:  $\pm 1/8$ "



FRONT VIEW



SIDE VIEW

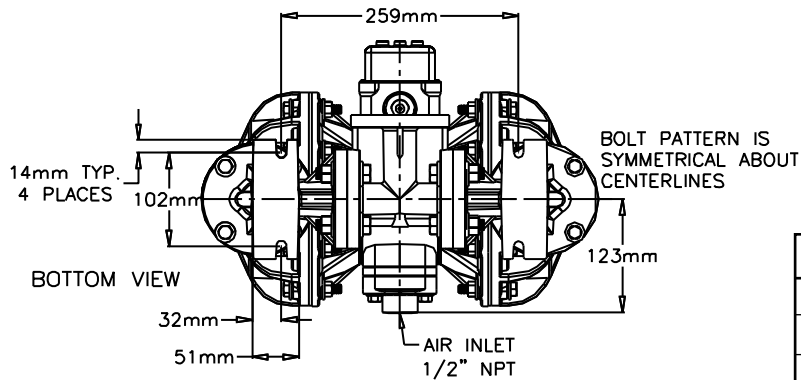
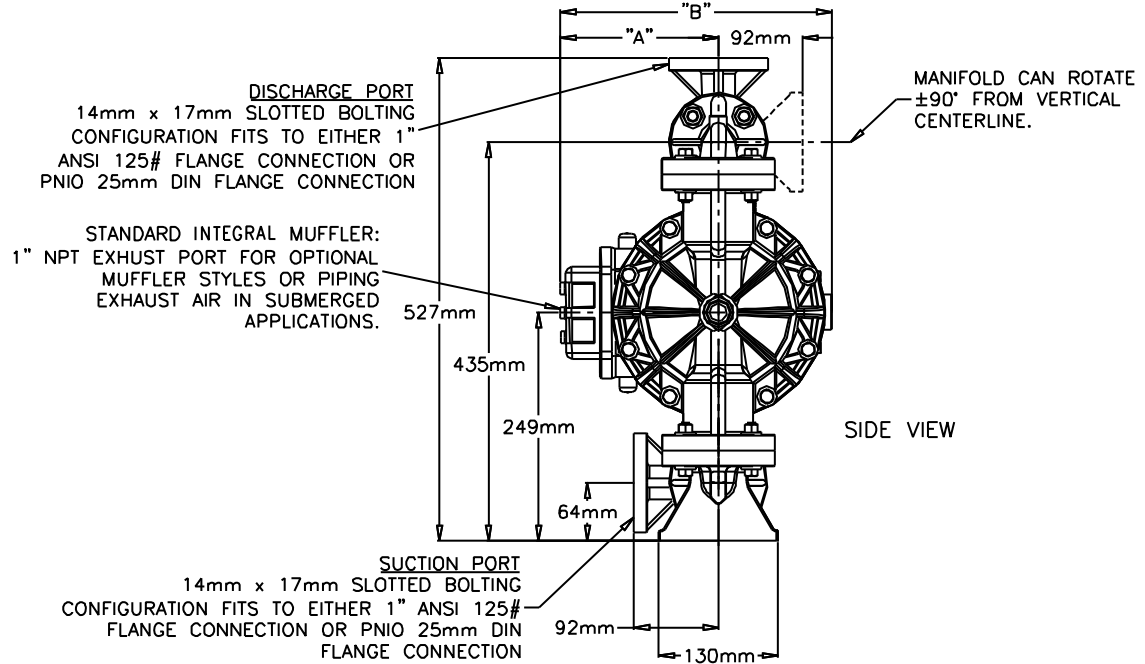
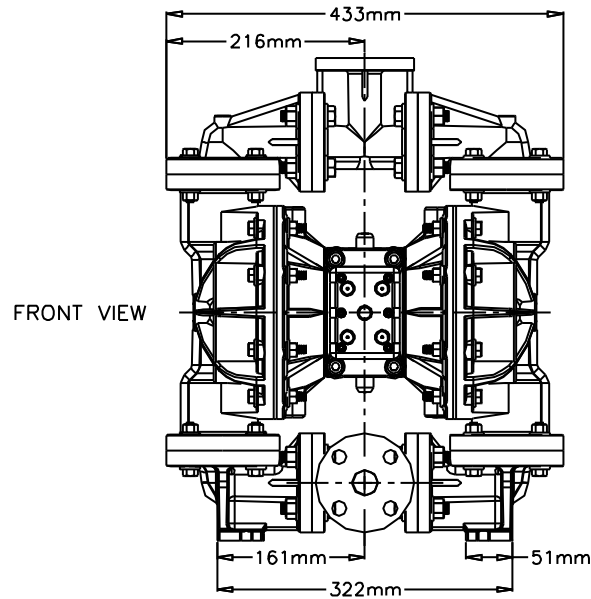


BOTTOM VIEW

DIMENSION	A	B
Standard Pump	6 7/8"	11 3/4"
Pulse Output Kit	6 7/8"	11 3/4"
Mesh Muffler	8 9/16"	11 5/32"
Sound Dampening Muffler	8 9/16"	11 5/32"
Metal Muffler	9"	14"

# Metric Dimensions: S1F Non-Metallic

Dimensions in Millimeters  
Dimensional tolerance:  $\pm 3\text{mm}$

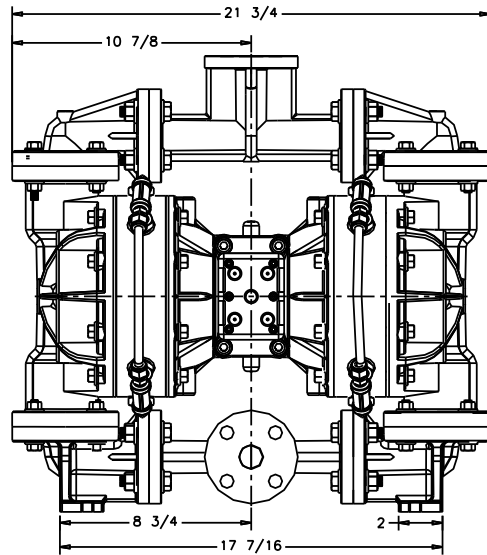


DIMENSION	A	B
Standard Pump	175mm	298mm
Pulse Output Kit	175mm	298mm
Mesh Muffler	167mm	283mm
Sound Dampening Muffler	167mm	283mm
Metal Muffler	229mm	356mm

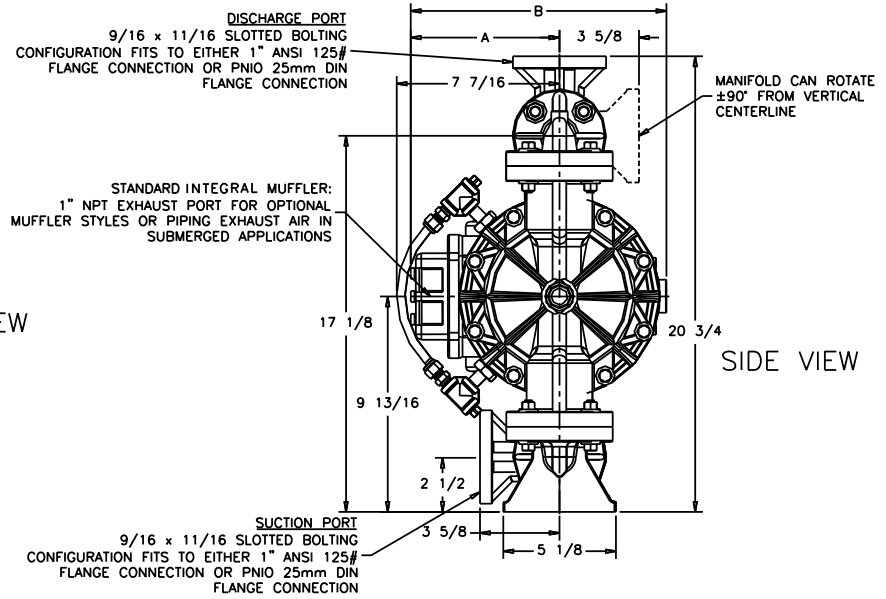
# Dimensions: S1F Non-Metallic with Spill Containment Dimensions in Inches

Dimensions in Inches

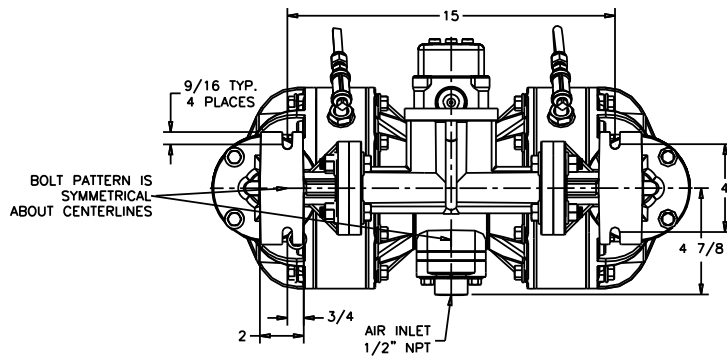
Dimensional tolerance:  $\pm 1/8$ "



FRONT VIEW



SIDE VIEW



BOTTOM VIEW

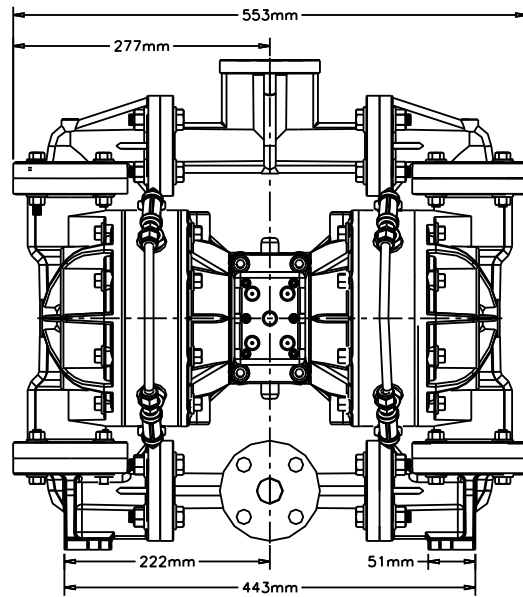
DIMENSION	A	B
Standard Pump	5 5/8"	10 1/4"
Pulse Output Kit	5 5/8"	10 1/4"
Mesh Muffler	8 9/16"	11 1/8"
Sound Dampening Muffler	8 9/16"	11 1/8"



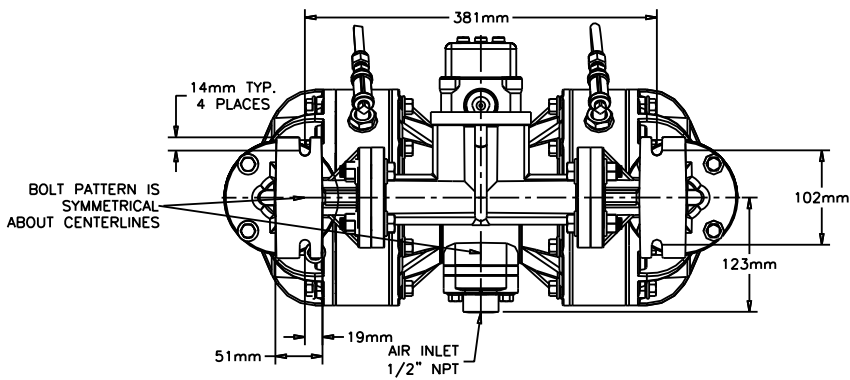
# Metric Dimensions: S1F Non-Metallic with Spill Containment

Dimensions in Millimeters

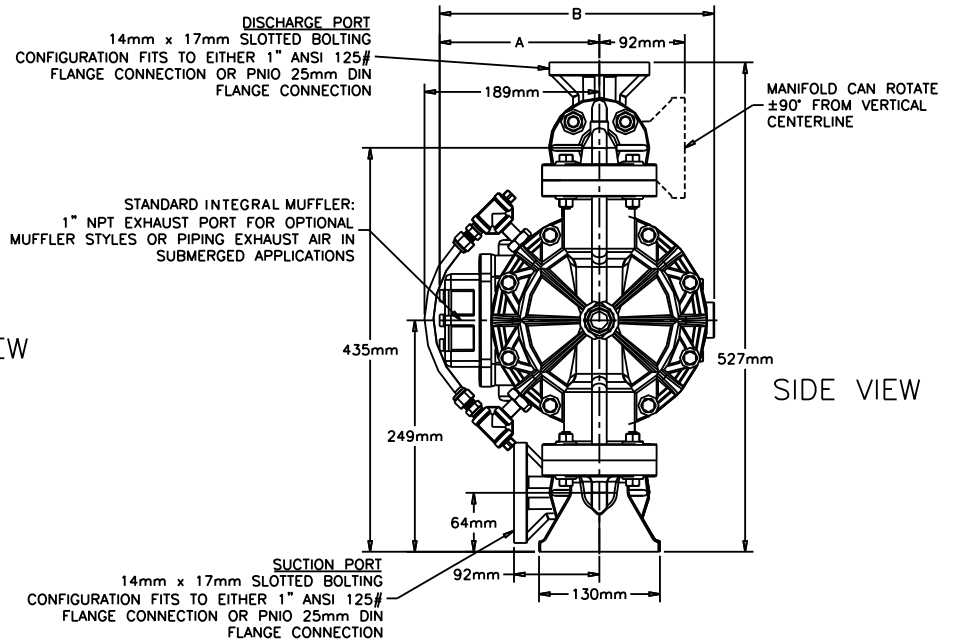
Dimensional tolerance:  $\pm 3\text{mm}$



FRONT VIEW



BOTTOM VIEW



SIDE VIEW

DIMENSION	A	B
Standard Pump	143mm	260mm
Pulse Output Kit	143mm	260mm
Mesh Muffler	167mm	283mm
Sound Dampening Muffler	167mm	283mm

## **PRINCIPLE OF PUMP OPERATION**

This ball type check valve pump is powered by compressed air and is a 1:1 ratio design. The inner side of one diaphragm chamber is alternately pressurized while simultaneously exhausting the other inner chamber. This causes the diaphragms, which are connected by a common rod secured by plates to the centers of the diaphragms, to move in a reciprocating action. (As one diaphragm performs the discharge stroke the other diaphragm is pulled to perform the suction stroke in the opposite chamber.) Air pressure is applied over the entire inner surface of the diaphragm while liquid is discharged from the opposite side of the diaphragm. The diaphragm operates in a balanced condition during the discharge stroke which allows the pump to be operated at discharge heads over 200 feet (61 meters) of water.

For maximum diaphragm life, keep the pump as close to the liquid being pumped as possible. Positive suction head in excess of 10 feet of liquid (3.048 meters) may require a back pressure regulating device to maximize diaphragm life.

Alternate pressurizing and exhausting of the diaphragm chamber is performed by an externally mounted, pilot operated, four way spool type air distribution valve. When the spool shifts to one end of the valve body, inlet pressure is applied to one diaphragm chamber and the other diaphragm chamber exhausts. When the spool shifts to the opposite end of the valve body, the pressure to the chambers

is reversed. The air distribution valve spool is moved by a internal pilot valve which alternately pressurizes one end of the air distribution valve spool while exhausting the other end. The pilot valve is shifted at each end of the diaphragm stroke when a actuator plunger is contacted by the diaphragm plate. This actuator plunger then pushes the end of the pilot valve spool into position to activate the air distribution valve.

The chambers are connected with manifolds with a suction and discharge check valve for each chamber, maintaining flow in one direction through the pump.

## **INSTALLATION AND START-UP**

Locate the pump as close to the product being pumped as possible. Keep the suction line length and number of fittings to a minimum. Do not reduce the suction line diameter.

For installations of rigid piping, short sections of flexible hose should be installed between the pump and the piping. The flexible hose reduces vibration and strain to the pumping system. A surge suppressor is recommended to further reduce pulsation in flow.

## **AIR SUPPLY**

Air supply pressure cannot exceed 100 psi (7 bar). Connect the pump air inlet to an air supply of sufficient capacity and pressure required for desired performance. When the air supply line is solid piping, use a short length of flexible hose not less than 1/2" (13mm) in diameter between the pump and the piping to reduce strain

to the piping. The weight of the air supply line, regulators and filters must be supported by some means other than the air inlet cap. Failure to provide support for the piping may result in damage to the pump. A pressure regulating valve should be installed to insure air supply pressure does not exceed recommended limits.

## **AIR VALVE LUBRICATION**

The air distribution valve and the pilot valve are designed to operate WITHOUT lubrication. This is the preferred mode of operation. There may be instances of personal preference or poor quality air supplies when lubrication of the compressed air supply is required. The pump air system will operate with properly lubricated compressed air supply. Proper lubrication requires the use of an air line lubricator (available from Warren Rupp) set to deliver one drop of SAE 10 non-detergent oil for every 20 SCFM (9.4 liters/sec.) of air the pump consumes at the point of operation. Consult the pump's published Performance Curve to determine this.

## **AIR LINE MOISTURE**

Water in the compressed air supply can create problems such as icing or freezing of the exhaust air, causing the pump to cycle erratically or stop operating. Water in the air supply can be reduced by using a point-of-use air dryer to supplement the user's air drying equipment. This device removes water from the compressed air supply and alleviates the icing or freezing problems.

## **AIR INLET AND PRIMING**

To start the pump, open the air valve approximately 1/2" to 3/4" turn. After the pump primes, the air valve can be opened to increase air flow as desired. If opening the valve increases cycling rate, but does not increase the rate of flow, cavitation has occurred. The valve should be closed slightly to obtain the most efficient air flow to pump flow ratio.

## **BETWEEN USES**

When the pump is used for materials that tend to settle out or solidify when not in motion, the pump should be flushed after each use to prevent damage. (Product remaining in the pump between uses could dry out or settle out. This could cause problems with the diaphragms and check valves at restart.) In freezing temperatures the pump must be completely drained between uses in all cases.

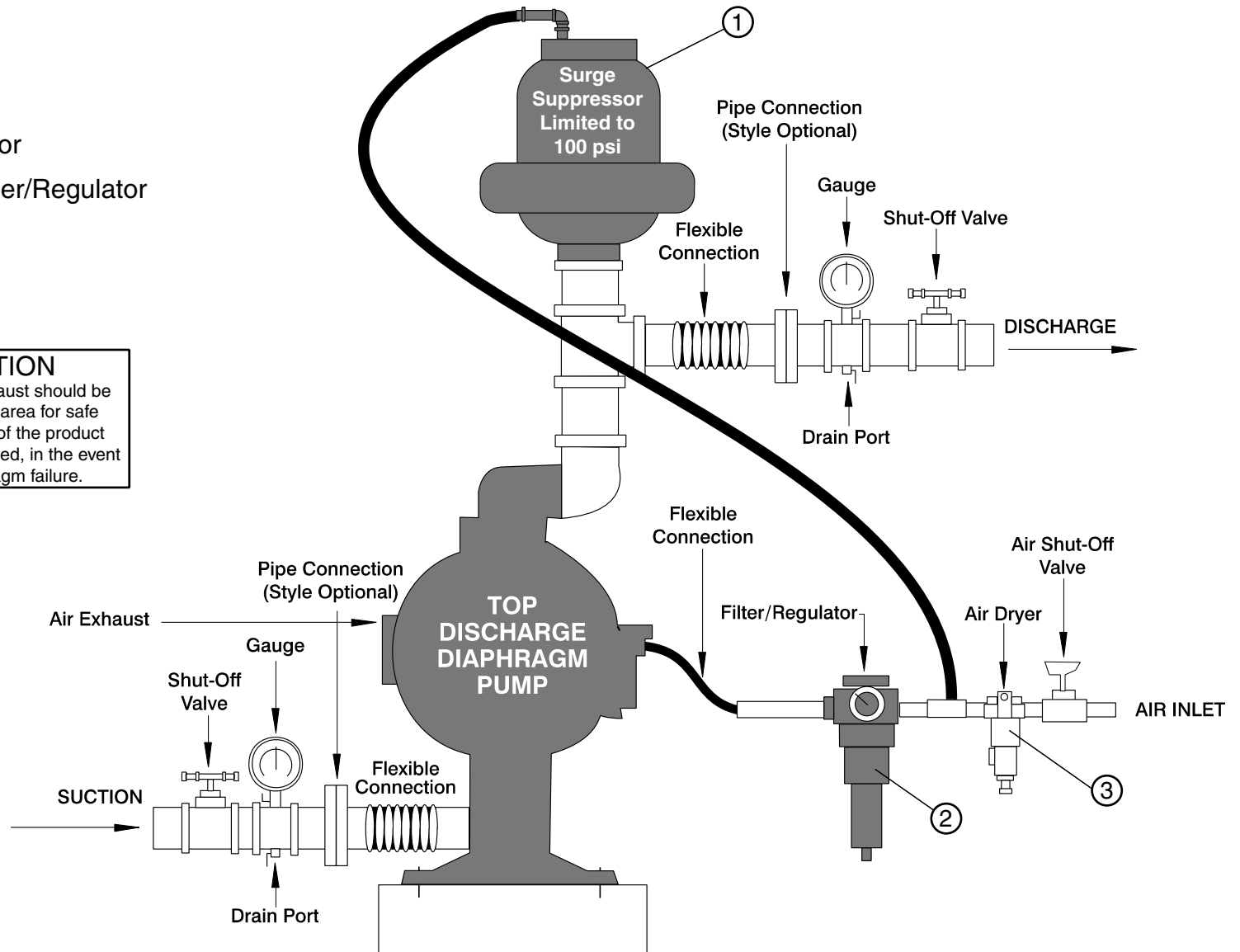
## INSTALLATION GUIDE Top Discharge Ball Valve Unit

Available from  
Warren Rupp

- ① Surge Suppressor
- ② 020-050-000 Filter/Regulator
- ③ Air Dryer

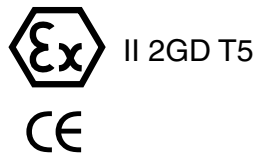


**CAUTION**  
The air exhaust should be piped to an area for safe disposition of the product being pumped, in the event of a diaphragm failure.




# RECYCLING

Many components of SANDPIPER® Metallic AODD pumps are made of recyclable materials (see chart on page 11 for material specifications). We encourage pump users to recycle worn out parts and pumps whenever possible, after any hazardous pumped fluids are thoroughly flushed.



Pump complies with EN809 Pumping Directive, Directive 98/37/EC Safety of Machinery, and Directive 94/9/EC, EN13463-1 Equipment for use in Potentially Explosive Environments. For reference to the directive certificates visit: [www.warrenrupp.com](http://www.warrenrupp.com). The Technical File No. AX1 is stored at KEMA, Notified Body 0344, under Document #203040000.

## IMPORTANT SAFETY INFORMATION




**IMPORTANT**

Read these safety warnings and instructions in this manual completely, before installation and start-up of the pump. It is the responsibility of the purchaser to retain this manual for reference. Failure to comply with the recommendations stated in this manual will damage the pump, and void factory warranty.



**CAUTION**

Before pump operation, inspect all gasketed fasteners for looseness caused by gasket creep. Retorque loose fasteners to prevent leakage. Follow recommended torques stated in this manual.




**WARNING**

Before maintenance or repair, shut off the compressed air line, bleed the pressure, and disconnect the air line from the pump. The discharge line may be pressurized and must be bled of its pressure.




**WARNING**

In the event of diaphragm rupture, pumped material may enter the air end of the pump, and be discharged into the atmosphere. If pumping a product which is hazardous or toxic, the air exhaust must be piped to an appropriate area for safe disposition.



**WARNING**

Take action to prevent static sparking. Fire or explosion can result, especially when handling flammable liquids. The pump, piping, valves, containers or other miscellaneous equipment must be grounded. (See page 36)



**WARNING**

This pump is pressurized internally with air pressure during operation. Always make certain that all bolting is in good condition and that all of the correct bolting is reinstalled during assembly.



**WARNING**

When used for toxic or aggressive fluids, the pump should always be flushed clean prior to disassembly.



**WARNING**

Before doing any maintenance on the pump, be certain all pressure is completely vented from the pump, suction, discharge, piping, and all other openings and connections. Be certain the air supply is locked out or made non-operational, so that it cannot be started while work is being done on the pump. Be certain that approved eye protection and protective clothing are worn all times in the vicinity of the pump. Failure to follow these recommendations may result in serious injury or death.



**WARNING**

Airborne particles and loud noise hazards. Wear ear and eye protection.

# Material Codes

## The Last 3 Digits of Part Number

000	Assembly, sub-assembly; and some purchased items	180	Copper Alloy	378	High Density Polypropylene	604	PTFE
010	Cast Iron	305	Carbon Steel, Black Epoxy Coated	379	Conductive Nitrile	606	PTFE
012	Powered Metal	306	Carbon Steel, Black PTFE Coated	405	Cellulose Fibre	607	Envelon
015	Ductile Iron	307	Aluminum, Black Epoxy Coated	408	Cork and Neoprene	608	Conductive PTFE
020	Ferritic Malleable Iron	308	Stainless Steel, Black PTFE Coated	425	Compressed Fibre	610	PTFE Integral Silicon
025	Music Wire	309	Aluminum, Black PTFE Coated	426	Blue Gard	611	PTFE Integral FKM
080	Carbon Steel, AISI B-1112	310	PVDF Coated	440	Vegetable Fibre	632	Neoprene/Hytrel
100	Alloy 20	330	Zinc Plated Steel	465	Fibre	633	FKM (Fluorocarbon)/PTFE
110	Alloy Type 316 Stainless Steel	331	Chrome Plated Steel	500	Delrin 500	634	EPDM/PTFE
111	Alloy Type 316 Stainless Steel (Electro Polished)	332	Aluminum, Electroless Nickel Plated	501	Delrin 570	635	Neoprene/PTFE
112	Alloy C	333	Carbon Steel, Electroless Nickel Plated	502	Conductive Acetal, ESD-800	637	PTFE, FKM (Fluorocarbon)/PTFE
113	Alloy Type 316 Stainless Steel (Hand Polished)	335	Galvanized Steel	503	Conductive Acetal, Glass-Filled	638	PTFE, Hytrel/PTFE
114	303 Stainless Steel	336	Zinc Plated Yellow Brass	505	Acrylic Resin Plastic	639	Nitrile/TFE
115	302/304 Stainless Steel	337	Silver Plated Steel	506	Delrin 150	643	Santoprene/EPDM
117	440-C Stainless Steel (Martensitic)	340	Nickel Plated	520	Injection Molded PVDF Natural color	644	Santoprene/PTFE
120	416 Stainless Steel (Wrought Martensitic)	342	Filled Nylon	521	Conductive PVDF	650	Bonded Santoprene and PTFE
123	410 Stainless Steel (Wrought Martensitic)	353	Geolast; Color: Black	540	Nylon	654	Santoprene Diaphragm, PTFE Overlay Balls and seals
148	Hardcoat Anodized Aluminum	354	Injection Molded #203-40 Santoprene- Duro 40D +/-5; Color: RED	541	Nylon	656	Santoprene Diaphragm and Check Balls/EPDM Seats
149	2024-T4 Aluminum	355	Thermal Plastic	542	Nylon	661	EPDM/Santoprene
150	6061-T6 Aluminum	356	Hytrel	544	Nylon Injection Molded		
151	6063-T6 Aluminum	357	Injection Molded Polyurethane	550	Polyethylene		Delrin and Hytrel are registered tradenames of E.I. DuPont.
152	2024-T4 Aluminum (2023-T351)	358	Urethane Rubber (Some Applications) (Compression Mold)	551	Glass Filled Polypropylene		Gylon is a registered tradename of Garlock, Inc.
154	Almag 35 Aluminum	359	Urethane Rubber	552	Unfilled Polypropylene		Nylatron is a registered tradename of Polymer Corp.
155	356-T6 Aluminum	360	Nitrile Rubber. Color coded: RED	553	Unfilled Polypropylene		Santoprene is a registered tradename of Monsanto Corp.
156	356-T6 Aluminum	361	FDA Accepted Nitrile	555	Polyvinyl Chloride		Rulon II is a registered tradename of Dixion Industries Corp.
157	Die Cast Aluminum Alloy #380	362	FKM (Fluorocarbon). Color coded: YELLOW	556	Black Vinyl		Ryton is a registered tradename of Phillips Chemical Co.
158	Aluminum Alloy SR-319	363	E.P.D.M. Rubber. Color coded: BLUE	557	Conductive Polypropylene		Valox is a registered tradename of General Electric Co.
159	Anodized Aluminum	364	Neoprene Rubber. Color coded: GREEN	558	Conductive HDPE		Warren Rupp, SANDPIPER, PortaPump, Tranquilizers and SludgeMaster are registered tradenames of Warren Rupp, Inc.
162	Brass, Yellow, Screw Machine Stock	365	Food Grade Nitrile	559	Glass-Filled Conductive Polypropylene		
165	Cast Bronze, 85-5-5-5	366	Food Grade Nitrile	570	Rulon II		
166	Bronze, SAE 660	368	Food Grade EPDM	580	Ryton		
170	Bronze, Bearing Type, Oil Impregnated	370	Butyl Rubber. Color coded: BROWN	590	Valox		
175	Die Cast Zinc	371	Philthane (Tuftane)	591	Nylatron G-S		
		374	Carboxylated Nitrile	592	Nylatron NSB		
		375	Fluorinated Nitrile	600	PTFE (virgin material)		
				601	Tetrafluorocarbon (TFE)		
				602	PTFE (Bronze and moly filled)		
				603	Filled PTFE		
					Blue Gylon		

## TROUBLESHOOTING

### Possible Symptoms:

- Pump will not cycle.
- Pump cycles, but produces no flow.
- Pump cycles, but flow rate is unsatisfactory.
- Pump cycle seems unbalanced.
- Pump cycle seems to produce excessive vibration.

**What to Check:** Excessive suction lift in system.

**Corrective Action:** For lifts exceeding 20 feet (6 meters), filling the pumping chambers with liquid will prime the pump in most cases.

**What to Check:** Excessive flooded suction in system.

**Corrective Action:** For flooded conditions exceeding 10 feet (3 meters) of liquid, install a back pressure device.

**What to Check:** System head exceeds air supply pressure.

**Corrective Action:** Increase the inlet air pressure to the pump. Most diaphragm pumps are designed for 1:1 pressure ratio at zero flow.

**What to Check:** Air supply pressure or volume exceeds system head.

**Corrective Action:** Decrease inlet air pressure and volume to the pump as calculated on the published PERFORMANCE CURVE. Pump is cavitating the fluid by fast cycling.

**What to Check:** Undersized suction line.

**Corrective Action:** Meet or exceed pump connection recommendations shown on the DIMENSIONAL DRAWING.

**What to Check:** Restricted or undersized air line.

**Corrective Action:** Install a larger air line and connection. Refer to air inlet recommendations shown in your pump's SERVICE MANUAL.

**What to Check:** Check ESADS+Plus, the Externally Serviceable Air Distribution System of the pump.

**Corrective Action:** Disassemble and inspect the main air distribution valve, pilot valve and pilot valve actuators. Refer to the parts drawing and air valve section of the SERVICE MANUAL. Check for clogged discharge or closed valve before reassembly.

**What to Check:** Rigid pipe connections to pump.

**Corrective Action:** Install flexible connectors and a surge suppressor.

**What to Check:** Blocked air exhaust muffler.

**Corrective Action:** Remove muffler screen, clean or de-ice and reinstall. Refer to the Air Exhaust section of your pump SERVICE MANUAL.

**What to Check:** Pumped fluid in air exhaust muffler.

**Corrective Action:** Disassemble pump chambers. Inspect for diaphragm rupture or loose diaphragm plate assembly. Refer to the Diaphragm Replacement section of your pump SERVICE MANUAL.

**What to Check:** Suction side air leakage or air in product.

**Corrective Action:** Visually inspect all suction side gaskets and pipe connections.

**What to Check:** Obstructed check valve.

**Corrective Action:** Disassemble the wet end of the pump and manually dislodge obstruction in the check valve pocket. Refer to the Check Valve section of the pump SERVICE MANUAL for disassembly instructions.

**What to Check:** Worn or misaligned check valve or check valve seat.

**Corrective Action:** Inspect check valves and seats for wear and proper seating. Replace if necessary. Refer to Check Valve section of the pump SERVICE MANUAL for disassembly instructions.

**What to Check:** Blocked suction line.

**Corrective Action:** Remove or flush obstruction. Check and clear all suction screens and strainers.

**What to Check:** Blocked discharge line.

**Corrective Action:** Check for obstruction or closed discharge line valves.

**What to Check:** Blocked pumping chamber.

**Corrective Action:** Disassemble and inspect the wetted chambers of the pump. Remove or flush any obstructions. Refer to the pump SERVICE MANUAL for disassembly instructions.

**What to Check:** Entrained air or vapor lock in one or both pumping chambers.

**Corrective Action:** Purge chambers through tapped chamber vent plugs. PURGING THE CHAMBERS OF AIR CAN BE DANGEROUS! Contact the Warren Rupp Technical Services Department before performing this procedure. A model with top-ported discharge will reduce or eliminate problems with entrained air.

If your pump continues to perform below your expectations, contact your local Warren Rupp Distributor or factory Technical Services Group for a service evaluation.

## WARRANTY

Refer to the enclosed Warren Rupp Warranty Certificate.



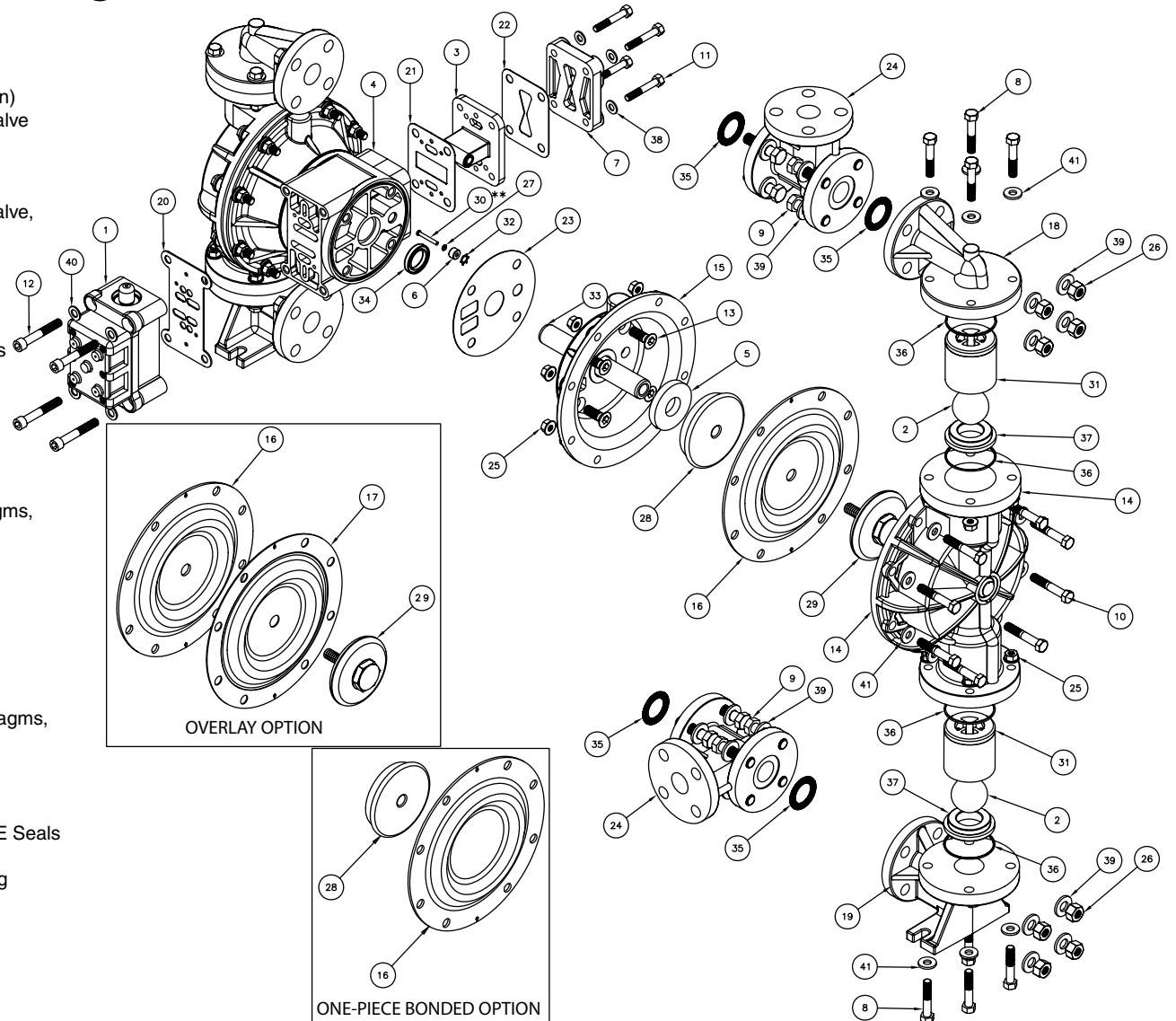
# Composite Repair Parts Drawing

## AVAILABLE SERVICE AND CONVERSION KITS

- 476-217-000 AIR END KIT** (For Polypropylene Center Section)  
Seals, O-rings, Gaskets, Retaining Rings, Air Valve Sleeve & Spool Set and Pilot Valve Assembly
- 476-218-000 AIR END KIT** (Stroke Indicator Option, For Polypropylene Center Section)  
Seals, O-rings, Gaskets, Retaining Rings, Air Valve, Sleeve & Spool Set and Pilot Valve Assembly
- 476-197-354 WETTED END KIT**  
Santoprene Diaphragms, Santoprene Balls and PTFE Seals
- 476-197-360 WETTED END KIT**  
Nitrile Diaphragms, Nitrile Balls and PTFE Seals
- 476-197-363 WETTED END KIT**  
FKM Diaphragms, FKM Balls and PTFE Seals
- 476-197-365 WETTED END KIT**  
Neoprene Diaphragms, Neoprene Balls and PTFE Seals
- 476-197-635 WETTED END KIT**  
Neoprene Diaphragms, PTFE Overlay Diaphragms, PTFE Balls and PTFE Seals
- 476-197-654 WETTED END KIT**  
Santoprene Diaphragms, PTFE Overlay Diaphragms, TFE Balls and TFE Seals
- 476-197-659 WETTED END KIT**  
One-Piece Bonded Diaphragms, PTFE Balls, PTFE Seals
- 476-198-655 WETTED END KIT**  
Santoprene Diaphragms, PTFE Overlay Diaphragms, PTFE Pumping Diaphragms, PTFE Balls and PTFE Seals
- 476-198-354 WETTED END KIT**  
Santoprene Diaphragms, Santoprene Pumping Diaphragms, Santoprene Check Balls and PTFE Seals
- 476-198-659 WETTED END KIT**  
One-Piece Bonded Diaphragms, PTFE Pumping Diaphragms, PTFE Balls, PTFE Seals



## ELECTRONIC LEAK DETECTOR KITS

- 032-037-000 110 VAC / 220 VAC
- 032-045-000 12 - 32 VDC

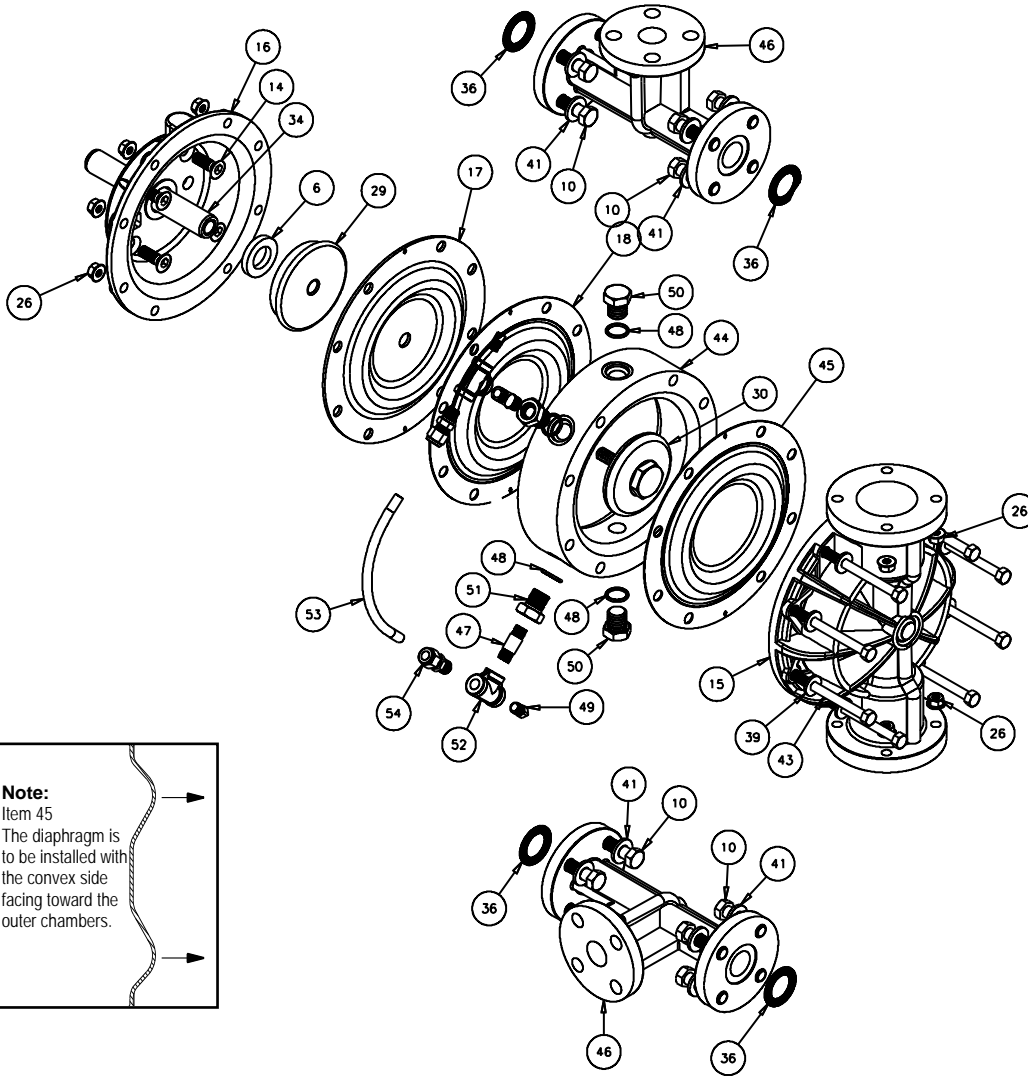




# Composite Repair Parts List

ITEM	PART NUMBER	DESCRIPTION	QTY	ITEM	PART NUMBER	DESCRIPTION	QTY
1	031-140-000	Air Valve Assembly	1		312-104-552	Elbow	2
	▲ 031-140-001	Air Valve Assembly (No Muffler)	1	19	312-113-520	Elbow, Suction	2
	031-140-002	Air Valve Assembly w/PTFE Coated Hardware	1		▲ 312-113-521	Elbow, Suction	2
	031-141-000	Air Valve Assembly (No Muffler)	1		312-113-552	Elbow, Suction	2
	▲ 031-141-001	Air Valve Assembly (No Muffler)	1		▲ 312-113-557	Elbow, Suction	1
	031-141-002	Air Valve Assembly (No Muffler / PTFE Hardware)	1	20	360-093-360	Gasket, Air Valve	1
	▲ 031-146-000	Air Valve Assembly (With Stroke Indicator Option)	1	21	360-103-360	Gasket, Pilot Valve	1
	▲ 031-147-000	Air Valve Assembly (No Muffler w/Stroke Indicator)	1	22	360-104-360	Gasket, Air Inlet	1
2	050-042-354	Ball, Check	4		▲ 360-104-379	Gasket, Air Inlet	1
	050-042-360	Ball, Check	4	23	360-107-360	Gasket, Inner Chamber	2
	050-042-363	Ball, Check	4	24	518-179-520	Manifold	2
	050-042-365	Ball, Check	4		▲ 518-179-521	Manifold	2
	050-042-600	Ball, Check	4		518-179-552	Manifold	2
3	095-110-558	Pilot Valve Assembly	1		▲ 518-179-557	Manifold	2
4	114-024-551	Intermediate Assembly	1	25	544-002-115	Nut, Hex 3/8 - 16	32
	▲ 114-024-559	Intermediate Assembly	1		544-002-308	Nut, Hex 3/8 - 16	32
5	132-035-360	Bumper, Diaphragm	2	26	545-008-115	Nut, Hex 1/2 - 13	16
6	135-034-506	Bushing, Plunger	2		545-008-308	Nut, Hex 1/2 - 13	16
7	165-125-551	Cap, Air Inlet	1	27	560-001-360	O-ring	2
	▲ 165-125-559	Cap, Air Inlet	1	28	612-200-157	Inner Diaphragm Plate	2
8	170-020-115	Capscrew, Hex HD 3/8 - 16 x 2.00	16		612-200-082	Inner Diaphragm Plate	2
	170-020-308	Capscrew, Hex HD 3/8 - 16 x 2.00	16		612-220-150	Inner Diaphragm Plate (One-Piece Bonded Option)	2
9	170-030-115	Capscrew, Hex HD 1/2 - 13 x 2.00	16	29	612-204-520	Outer Diaphragm Plate	2
	170-030-308	Capscrew, Hex HD 1/2 - 13 x 2.00	16		612-204-552	Outer Diaphragm Plate	2
10	170-052-115	Capscrew, Hex HD 3/8 - 16 x 2.25	16	30	620-020-115	Plunger, Actuator	2
	170-052-308	Capscrew, Hex HD 3/8 - 16 x 2.25	16	31	670-048-520	Retainer, Ball	4
11	170-069-115	Capscrew, Hex HD 5/16 - 18 x 1.75	4		670-048-552	Retainer, Ball	4
	170-069-308	Capscrew, Hex HD 5/16 - 18 x 1.75	4	32	675-042-115	Ring, Retainer	2
12	171-053-115	Capscrew, Soc HD 3/8 - 16 x 2.50	4	33	685-058-120	Rod, Diaphragm	1
13	171-015-115	Capscrew, Soc HD 3/8 - 16 x .88	8	34	720-004-360	Seal, Diaphragm Rod	2
	171-015-308	Capscrew, Soc HD 3/8 - 16 x .88	8	35	720-044-600	Seal, Manifold Spacer	4
14	196-157-520	Chamber, Outer	2	36	720-047-600	Seal, Check Valve	8
	▲ 196-157-521	Chamber, Outer	2	37	722-079-520	Seat, Check Valve	4
	196-157-552	Chamber, Outer	2		722-079-552	Seat, Check Valve	4
	▲ 196-157-557	Chamber, Outer	2	38	901-038-115	Washer, Flat 5/16"	4
15	196-177-551	Chamber, Inner	2		901-038-308	Washer, Flat 5/16"	4
	▲ 196-177-559	Chamber, Inner	2	39	901-046-115	Washer, Flat 1/2"	32
16	286-107-354	Diaphragm	2		901-046-308	Washer, Flat 1/2"	32
	286-107-360	Diaphragm	2	40	901-048-115	Washer, Flat 3/8"	4
	289-115-000	Diaphragm, One-Piece Bonded	2		901-048-308	Washer, Flat 3/8"	4
	286-107-363	Diaphragm	2	41	901-049-115	Washer, Flat 3/8"	32
	286-107-365	Diaphragm	2		901-049-308	Washer, Flat 3/8"	32
17	286-108-600	Diaphragm, Overlay	2				
18	312-104-520	Elbow	2	Not Shown:			
	▲ 312-104-521	Elbow	2	535-069-000	Nameplate		
	▲ 312-104-557	Elbow	2				Note: ATEX Compliant

# Option For Virgin PTFE Equipped Pumps Drawing



**Note:**  
Item 45  
The diaphragm is to be installed with the convex side facing toward the outer chambers.

## S1F SPILL CONTAINMENT REPAIR PARTS LIST FOR VIRGIN PTFE EQUIPPED PUMPS

Item	Part Number	Description	Qty
43	170-114-115	Capscrew, Hex HD 3/8 - 16 x 4.50 (Replace 170-052-115)	16
	170-114-308	Capscrew, Hex HD 3/8 - 16 x 4.50 (Replace 170-052-115)	16
44	196-159-552	Chamber, Spill Containment	2
	196-159-520	Chamber, Spill Containment	2
45	286-094-600	Diaphragm, Pumping	2
46	518-180-520	Manifold, Spill Containment (Replace 518-179-520)	2
	518-180-552	Manifold, Spill Containment (Replace 518-179-520)	2
47	538-022-110	Nipple, Pipe	4
	538-022-308	Nipple, Pipe	4
48	560-078-611	O-ring	8
	618-003-110	Plug, Pipe	4
49	618-003-308	Plug, Pipe	4
	618-025-110	Plug, Boss	4
50	618-025-308	Plug, Boss	4
	618-031-110	Threaded Bushing	4
51	618-031-308	Threaded Bushing	4
	835-005-110	Tee, Pipe	4
52	835-005-308	Tee, Pipe	4
	860-056-606	Tube, Sight	2
54	866-060-110	Connector, Tube	4

\*Note: The Diaphragm is to be installed with the convex side facing toward the outer chamber. See drawing.

Note: Pump units with One-Piece Bonded Diaphragm option will not include Overlay Diaphragms (Items 18) and Outer Diaphragm Plate (Item 30).

## OPTIONS FOR VIRGIN PTFE EQUIPPED PUMPS CONCEPT

The spill containment option prevents the air end components from being contaminated or damaged when a pumping diaphragm ruptures while pumping caustic or toxic materials. It also helps to protect the environment. With the installation of optional leak detectors (either mechanical or electronic) the diaphragm rupture can be detected. The pump can then be shut down and repaired before any caustic or toxic materials can enter the air end and be exhausted into the surrounding environment.

## OPTION DIAPHRAGM SERVICING

To service the diaphragms first shut off the suction, then shut off the discharge lines to the pump. Next shut off the compressed air supply, bleed the pressure from the pump, and disconnect the air supply line from the pump. Drain any remaining pumped liquid from the pump. Remove the pump before servicing.

Next, drain the fluid from the spill prevention chambers. This can be done by removing the bottom plug (item 50) from each spill prevention chamber.

After the fluid from the spill prevention chambers has been drained, the wet end components can now be removed. See diaphragm servicing section for detailed instructions. The spill prevention option has two additional virgin PTFE pumping diaphragms (item 45). These diaphragms are installed with the natural **convex** curve toward the outer chamber (items 14 from the

pump assembly drawing). The molded directional arrows on the diaphragms must point vertically.

## FILLING CHAMBERS WITH LIQUID

The chambers are filled with water at the factory.

If you prefer to substitute another liquid, to prevent system contamination consult the factory first to determine compatibility of the substitute with pump construction.

Follow the steps listed here to replace the liquid in the pump after disassembly or liquid loss:

1. Drain the fluid in the spill prevention chambers by removing the bottom two boss plugs (items 50). Replace the bottom two boss plugs after the fluid is drained.

2. Remove the eight capscrews (item 10) fastening the discharge manifold and elbows to the outer chambers (items 15). The discharge manifolds and elbows can now be removed.

3. Remove the top two boss plugs (items 50). The spill prevention chambers are filled through the exposed ports.

4. Apply air pressure to the air distribution valve. Install safety clip (item 1-K) into the smaller unthreaded hole in one end cap (item 1-E). This locks the valve spool to one side, keeping the pump from shifting.

5. Face the side of the pump with the installed safety clip. If the safety clip is installed in the top end cap, fill the left spill containment chamber. If the safety clip is installed on the bottom end cap, fill the right spill prevention chamber. The volume of fluid is 1198 ml (40.49 fl. oz.).

It is important that the exact amount of fluid is used. Too little or too much fluid causes premature diaphragm failure and erratic pumping.

6. Loosely reinstall one boss plug (item 50) to the filled spill prevention chamber.

7. Shut off air supply. Remove safety clip. Adjust the air line regulator so that air pressure slowly fills the pump. The diaphragm expands, forcing the fluid in the chamber to be slowly displaced. When the pump shifts to the opposite side, quickly install the safety clip.

8. Loosen the top boss plug on the filled chambers. This allows fluid in the chamber to purge trapped air from the chamber. This can be seen by watching the column of fluid in the sight tube. When fluid appears at the top of the port, quickly tighten the boss plug. Fluid loss of 1 to 2ml is acceptable.

9. Tilt the pump so the uppermost pipe tee (item 52) is in the vertical position. Loosen the pipe plug (item 49). This will allow trapped air to purge through the pipe tee. When fluid appears at the tee opening, reinstall the pipe plug.

**NOTE:** If all air is not purged using this procedure, remove the check valve components from the top port of the outer chamber (item 15). Apply manual pressure to the pumping diaphragm by inserting a blunt instrument into the top port of the outer chamber and applying pressure to the diaphragm. Loosen the pipe plug (item 49) allowing the fluid to purge any remaining trapped air. Reinstall the plug.

10. Repeat steps 5 through 9 to fill opposite spill prevention chamber.

11. Reinstall the check valve components, discharge manifold and elbows to the pump. The pump is now ready for operation.

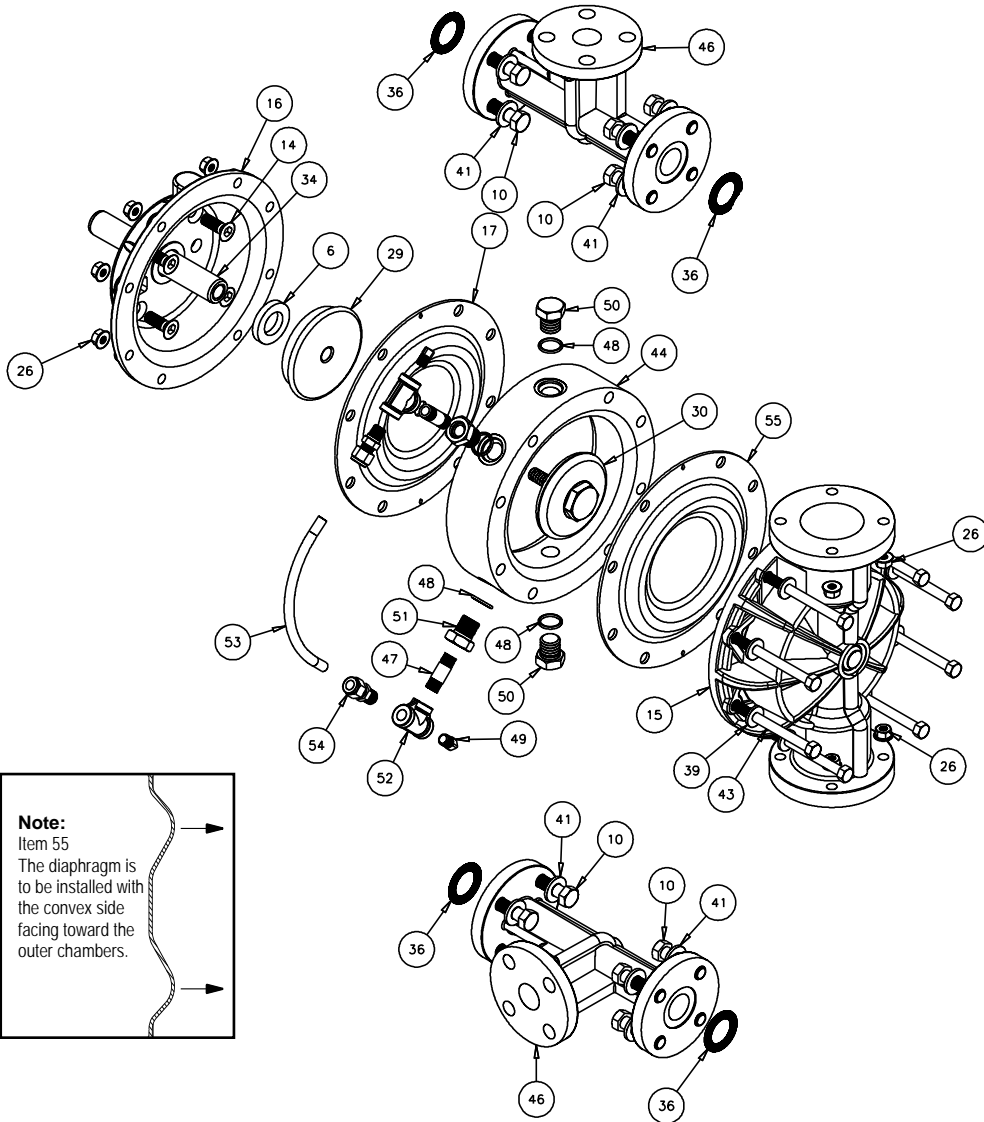


## IMPORTANT

*Read these instructions completely, before installation and start-up. It is the responsibility*

*of the purchaser to retain this manual for reference. Failure to comply with the recommendations stated in this manual will damage the pump, and void factory warranty.*

# Option For TPE Equipped Pumps Drawing



## S1F SPILL CONTAINMENT REPAIR PARTS LIST FOR TPE EQUIPPED PUMPS

Item	Part Number	Description	Qty
43	170-114-115	Capscrew, Hex HD 3/8 - 16 x 4.50 (Replace 170-052-115)	16
	170-114-308	Capscrew, Hex HD 3/8 - 16 x 4.50 (Replace 170-052-115)	16
44	196-159-552	Chamber, Spill Containment	2
	196-159-520	Chamber, Spill Containment	2
46	518-180-520	Manifold, Spill Containment (Replace 518-179-520)	2
	518-180-552	Manifold, Spill Containment (Replace 518-179-552)	2
47	538-022-110	Nipple, Pipe	4
	538-022-308	Nipple, Pipe	4
48	560-078-611	O-ring	8
49	618-003-110	Plug, Pipe	4
	618-003-308	Plug, Pipe	4
	618-025-110	Plug, Boss	4
	618-025-308	Plug, Boss	4
51	618-031-110	Threaded Bushing	4
	618-031-308	Threaded Bushing	4
52	835-005-110	Tee, Pipe	4
	835-005-308	Tee, Pipe	4
53	860-056-606	Tube, Sight	2
54	866-060-110	Connector, Tube	4
55	286-092-354*	Diaphragm, Pumping	2
18	286-108-600	Diaphragm, Overlay is not used	2

\*Note: The Diaphragm is to be installed with the convex side facing toward the outer chamber. See drawing.

## OPTION FOR TPE EQUIPPED PUMPS CONCEPT

The spill containment option prevents the air end components from being contaminated or damaged when a pumping diaphragm ruptures while pumping caustic or toxic materials. It also helps to protect the environment. With the installation of optional leak detectors (either mechanical or electronic) the diaphragm rupture can be detected. The pump can then be shut down and repaired before any caustic or toxic materials can enter the air end and be exhausted into the surrounding environment.

## OPTION DIAPHRAGM SERVICING

To service the diaphragms first shut off the suction, then shut off the discharge lines to the pump. Next shut off the compressed air supply, bleed the pressure from the pump, and disconnect the air supply line from the pump. Drain any remaining pumped liquid from the pump. Remove the pump before servicing.

Next, drain the fluid from the spill prevention chambers. This can be done by removing the bottom plug (item 50) from each spill prevention chamber.

After the fluid from the spill prevention chambers has been drained, the wet end components can now be removed. See diaphragm servicing section for detailed instructions. The spill prevention option has two additional TPE pumping diaphragms (item 55). These diaphragms are installed with the natural **concave** curve toward

the outer chamber (items 15 from the pump assembly drawing). The molded directional arrows on the diaphragms must point vertically.

## FILLING CHAMBERS WITH LIQUID

THE CHAMBERS ARE FILLED WITH WATER AT THE FACTORY.

If you prefer to substitute another liquid, to prevent system contamination consult the factory first to determine compatibility of the substitute with pump construction.

Follow the steps listed here to replace the liquid in the pump after disassembly or liquid loss:

1. Drain the fluid in the spill prevention chambers by removing the bottom two boss plugs (items 50). Replace the bottom two boss plugs after the fluid is drained.

2. Remove the eight capscrews (item 10) fastening the discharge manifold and elbows to the outer chambers (items 15). The discharge manifolds and elbows can now be removed.

3. Remove the top two boss plugs (items 50). The spill prevention chambers are filled through the exposed ports.

4. Apply air pressure to the air distribution valve. Install safety clip (item 1-K) into the smaller unthreaded hole in one end cap (item 1-E). This locks the valve spool to one side, keeping the pump from shifting.

5. Face the side of the pump with the installed safety clip. If the safety clip is installed in the top end cap, fill the left spill prevention chamber. If the safety

clip is installed on the bottom end cap, fill the right spill prevention chamber.

6. Loosely reinstall one boss plug (item 50) to the filled spill prevention chamber.

7. Shut off air supply. Remove safety clip. Adjust the air line regulator so that air pressure slowly fills the pump. The diaphragm expands, forcing the fluid in the chamber to be slowly displaced. When the pump shifts to the opposite side, quickly install the safety clip.

8. Loosen the top boss plug on the filled chambers. This allows fluid in the chamber to purge trapped air from the chamber. This can be seen by watching the column of fluid in the sight tube. When fluid appears at the top of the port, quickly tighten the boss plug. Fluid loss of 1 to 2ml is acceptable.

9. Tilt the pump so the uppermost pipe tee (item 52) is in the vertical position. Loosen the pipe plug (item 49). This will allow trapped air to purge through the pipe tee. When fluid appears at the tee opening, reinstall the pipe plug.

**NOTE:** If all air is not purged using this procedure, remove the check valve components from the top port of the outer chamber (item 15). Apply manual pressure to the pumping diaphragm by inserting a blunt instrument into the top port of the outer chamber and applying pressure to the diaphragm. Loosen the pipe plug (item 49) allowing the fluid to purge any remaining trapped air. Reinstall the plug.

10. Repeat steps 5 through 9 to fill opposite spill prevention chamber.

11. Reinstall the check valve components, discharge manifold and elbows to the pump. The pump is now ready for operation.

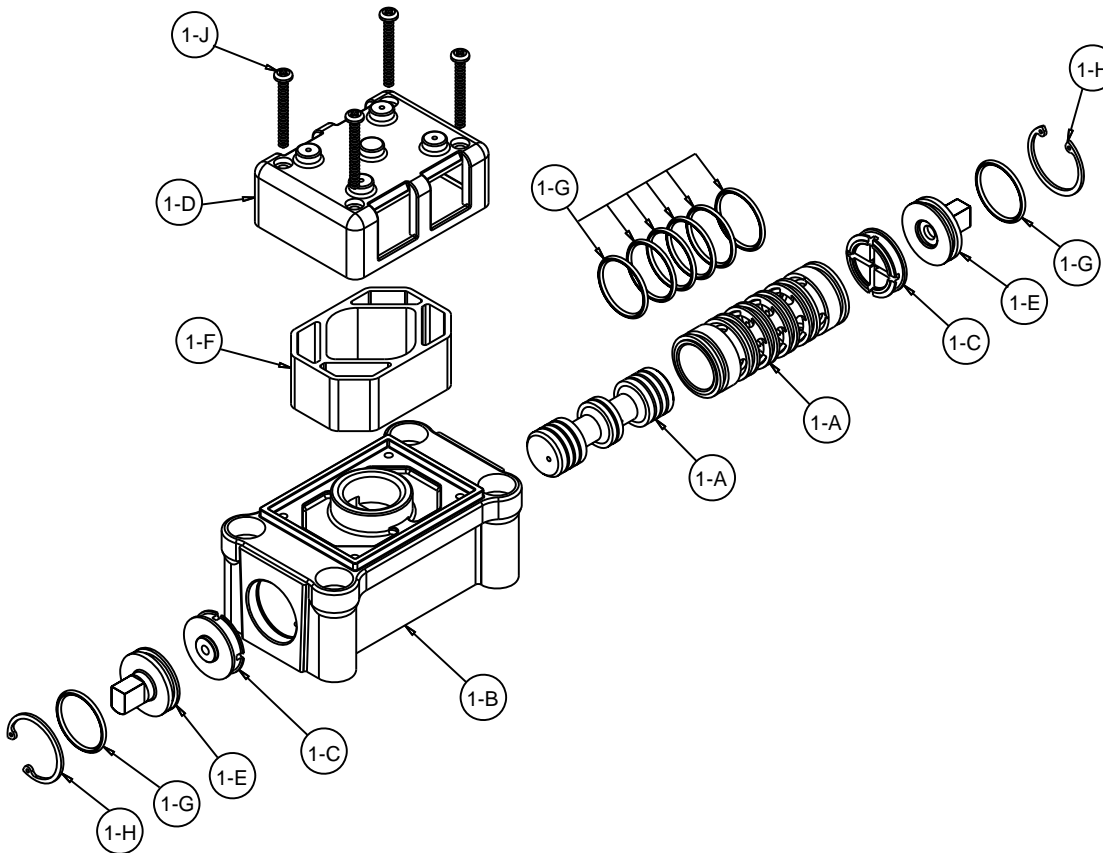


## ! IMPORTANT

*Read these instructions completely, before installation and start-up. It is the responsibility*

*of the purchaser to retain this manual for reference. Failure to comply with the recommendations stated in this manual will damage the pump, and void factory warranty.*

# Air Distribution Valve Assembly Drawing



## AIR VALVE ASSEMBLY PARTS LIST

Item	Part Number	Description	Qty
1	031-140-000	Air Valve Assembly	1
1-A	031-139-000	Sleeve and Spool Set	1
1-B	095-094-551	Body, Air Valve	1
1-C	132-029-552	Bumper	2
1-D	165-096-551	Cap, Muffer	1
1-E	165-115-552	Cap, End	2
1-F	530-028-550	Muffer	1
1-G	560-020-360	O-ring	8
1-H	675-044-115	Ring, Retaining	2
1-J	710-015-115	Screw, Self-tapping	4

### For Pumps with Alternate Mesh, Sound Dampening Mufflers or Piped Exhaust:

1	031-141-000	Air Valve Assembly	1
<b>(Includes all items used on 031-140-000 minus items 1-D, 1-F &amp; 1-J)</b>			

## ▲ AIR VALVE ASSEMBLY PARTS LIST

Item	Part Number	Description	Qty
1	031-140-001	Air Valve Assembly	1
1-A	031-139-000	Sleeve and Spool Set	1
1-B	095-094-559	Body, Air Valve	1
1-C	132-029-552	Bumper	2
1-D	165-096-559	Cap, Muffer	1
1-E	165-115-552	Cap, End	2
1-F	530-028-550	Muffer	1
1-G	560-020-360	O-ring	8
1-H	675-044-115	Ring, Retaining	2
1-J	710-015-115	Screw, Self-tapping	4

### ▲ For Pumps with Alternate Mesh, Muffer or Piped Exhaust:

1	031-141-001	Air Valve Assembly	1
<b>(Includes all items used on 031-140-001 minus items 1-D, 1-F &amp; 1-J)</b>			



**Note: ATEX Compliant**

## AIR DISTRIBUTION VALVE SERVICING

To service the air valve first shut off the compressed air, bleed the pressure from the pump, and disconnect the air supply line from the pump.

**Step #1:** See Composite Repair and Parts Drawing.

Using a 5/16" Allen wrench, remove the four hex socket capscrews (item 12) and four flat washers (item 38). Remove the air valve assembly (item 1) from the pump.

Remove and inspect gasket (item 20) for cracks or damage. Replace gasket if needed.

**Step #2:** Disassembly of the air valve.

To access the internal air valve components first remove the two retaining rings (item 1-K) from each end of the air valve assembly using clip ring pliers.

Next remove the two end caps (item 1-E). Inspect the o-rings (item 1-G) for cuts or wear. Replace the o-rings if necessary.

Remove the spool (part of item 1-A) from the sleeve. Be careful not to scratch or damage the outer diameter of the spool. Wipe spool with a soft cloth and inspect for scratches or wear.

Inspect the inner diameter of the sleeve (part of item 1-A) for dirt, scratches, or other contaminants. Remove the sleeve if needed and replace both the sleeve and spool with a new sleeve and spool set (item 1-A).

**Step #3:** Reassembly of the air valve.

Install one bumper, (item 1-C) and one end cap (item 1-E) with an o-ring (item 1-G) into one end of the air valve body (item 1-B). Install one retaining ring (item 1-H) into the groove on the same end.

Remove the new sleeve and spool set (item 1-A) from the plastic bag. Carefully remove the spool from the sleeve. Install the six o-rings (item 1-G) into the six grooves on the sleeve. Apply a light coating of grease to the o-rings before installing the sleeve into the valve body (item 1-B), align the slots in the sleeve with the slots in the valve body. Insert the spool into the sleeve. Be careful not to scratch or damage the spool during installation. Push the spool in until it touches the bumper on the opposite end.

Install the remaining bumper, end cap with o-ring, and retaining ring.

Fasten the air valve assembly (item 1) and gasket (item 20) to the pump.

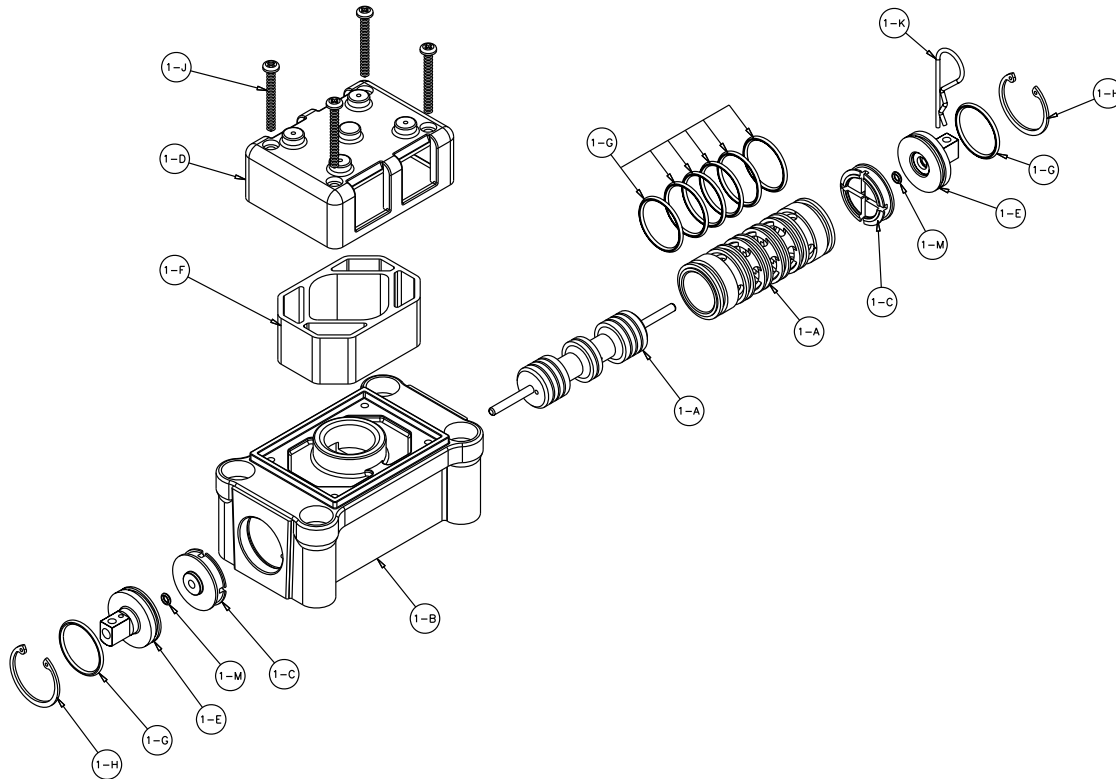
Connect the compressed air line to the pump. The pump is now ready for operation.



### **! IMPORTANT**

*Read these instructions completely, before installation and start-up. It is the responsibility of the purchaser to retain this manual for reference. Failure to comply with the recommendations stated in this manual will damage the pump, and void factory warranty.*

# Air Valve Assembly Drawing With Stroke Indicator Option



## ⚠ AIR VALVE ASSEMBLY PARTS LIST

Item	Part Number	Description	Qty
1	031-146-000	Air Valve Assembly	1
1-A	031-143-000	Sleeve and Spool Set	1
1-B	095-094-559	Body, Air Valve	1
1-C	132-029-552	Bumper	2
1-D	165-096-559	Cap, Muffler	1
1-E	165-098-147	Cap, End	2
1-F	530-028-550	Muffler	1
1-G	560-020-360	O-ring	8
1-H	675-044-115	Ring, Retaining	2
1-J	710-015-115	Screw, Self-tapping	4
1-K	210-008-330	Clip, Safety	1
1-M	560-029-360	O-ring	2

## ⚠ For Pumps with Alternate Mesh, Muffler or Piped Exhaust:

1	031-147-000	Air Valve Assembly (Includes all items used on 031-140-000 minus items 1-D, 1-F & 1-J)	1
---	-------------	---	---



Note: ATEX Compliant



## AIR DISTRIBUTION VALVE WITH STROKE INDICATOR OPTION SERVICING

To service the air valve first shut off the compressed air, bleed the pressure from the pump, and disconnect the air supply line from the pump.

**Step #1:** See Composite Repair and Parts Drawing.

Using a 5/16" Allen wrench, remove the four hex socket capscrews (item 12) and four flat washers (item 38). Remove the air valve assembly (item 1) from the pump.

Remove and inspect gasket (item 20) for cracks or damage. Replace gasket if needed.

**Step #2:** Disassembly of the air valve.

To access the internal air valve components first remove the two retaining rings (item 1-K) from each end of the air valve assembly using clip ring pliers.

Next remove the two end caps (item 1-E). Inspect the o-rings (item 1-G) for cuts or wear. Replace the o-rings if necessary.

Remove the spool (part of item 1-A) from the sleeve. Be careful not to scratch or damage the outer diameter of the spool. Wipe spool with a soft cloth and inspect for scratches or wear.

Inspect the inner diameter of the sleeve (part of item 1-A) for dirt, scratches, or other contaminants. Remove the sleeve if needed and replace both the sleeve and spool with a new sleeve and spool set (item 1-A).

**Step #3:** Reassembly of the air valve.

Install one bumper (item 1-C) and one end cap (item 1-E) with an o-ring (item 1-G) into one end of the air valve body (item 1-B). Install one retaining ring (item 1-H) into the groove on the same end. Insert the safety clip (item 1-K) through the small unthreaded hole in the end cap.

Remove the new sleeve and spool set (item 1-A) from the plastic bag. Carefully remove the spool from the sleeve. Install the six o-rings (item 1-G) into the six grooves on the sleeve. Apply a light coating of grease to the o-rings before installing the sleeve into the valve body (item 1-B), align the slots in the sleeve with the slots in the valve body. Insert the spool into the sleeve. Be careful not to scratch or damage the spool during installation. Push the spool in until the pin touches the safety clip on the opposite end.

Install the remaining bumper, end cap with o-ring, and retaining ring.

Fasten the air valve assembly (item 1) and gasket (item 20) to the pump.

Connect the compressed air line to the pump. The pump is now ready for operation.



### ! IMPORTANT

*Read these instructions completely, before installation and start-up. It is the responsibility of the purchaser to retain this manual for reference. Failure to comply with the recommendations stated in this manual will damage the pump, and void factory warranty.*

# Solenoid Shifted Air Valve Drawing

## SOLENOID SHIFTED AIR VALVE PARTS LIST

(Includes All Items Used on Composite Repair Parts List Except as Shown)

Item	Part Number	Description	Qty
56	893-097-000	Solenoid Valve, NEMA4	1
57	219-001-000	Solenoid Coil, 24VDC	1
	219-004-000	Solenoid Coil, 24VAC/12VDC	1
	219-002-000	Solenoid Coil, 120VAC	1
	219-003-000	Solenoid Coil, 240VAC	1
58	241-001-000	Connector, conduit	1
59	170-029-330	Capscrew, Hex HD 5/16 - 18 x 1.50	4
60	618-051-150	Plug	2

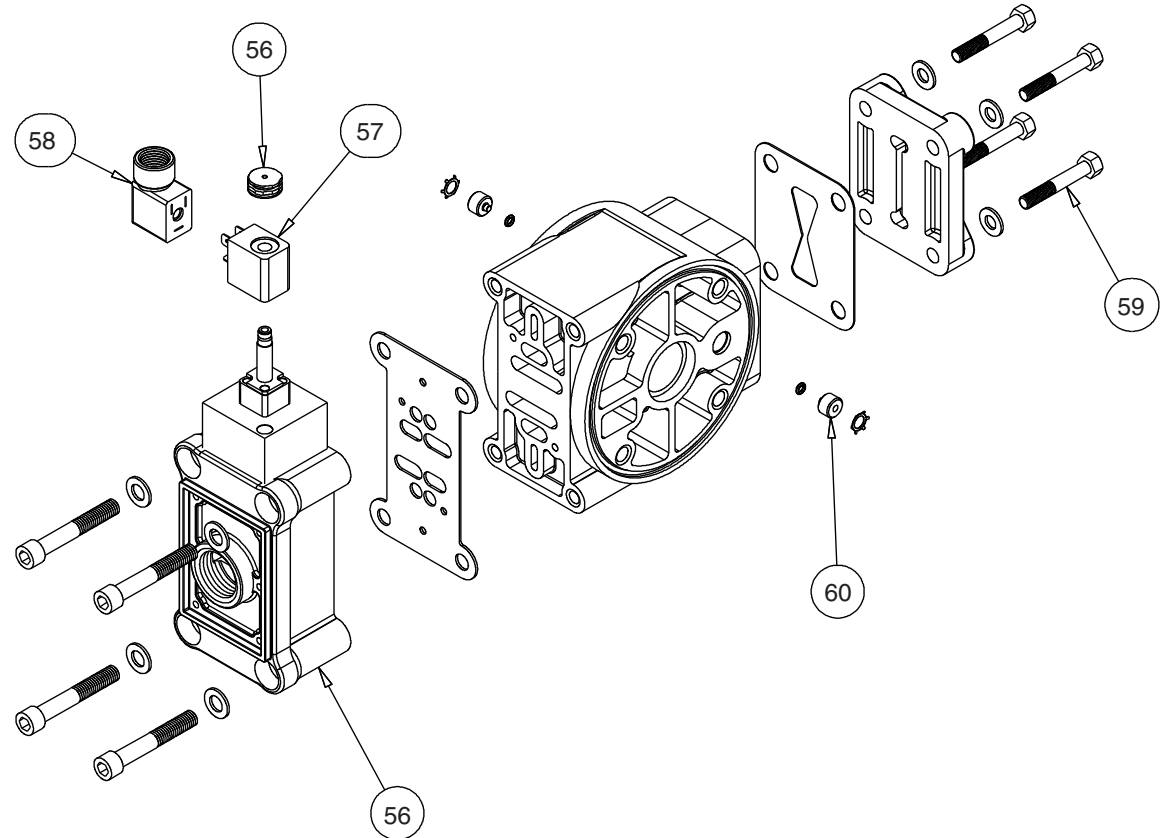


Note: Pumps equipped with Explosion-Proof Solenoid Coils are ATEX compliant.



### For Explosion Proof Solenoid Valve

57	219-009-001	Solenoid Coil, 120VAC 60 Hz	1
	219-009-002	Solenoid Coil, 240VAC 60 HZ	1
	219-009-003	Solenoid Coil, 12VDC	1
	219-009-004	Solenoid Coil, 24VDC	1
	219-009-005	Solenoid Coil, 110VAC 50 Hz	1
	219-009-006	Solenoid Coil, 230VAC 50 Hz	1



## SOLENOID SHIFTED AIR DISTRIBUTION VALVE OPTION

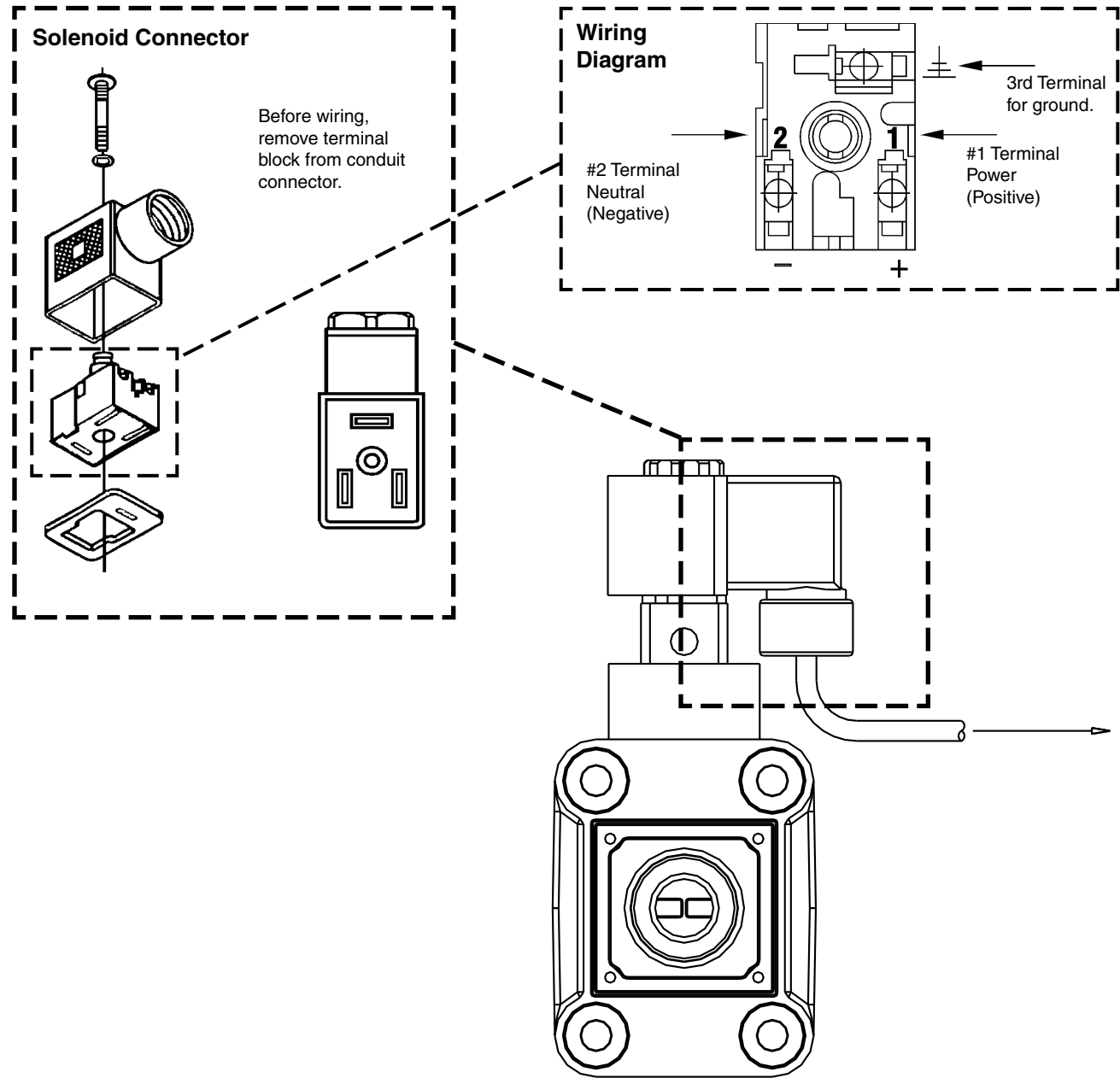
Warren Rupp's solenoid shifted, air distribution valve option utilizes electrical signals to precisely control your SANDPIPER's speed. The solenoid coil is connected to a customer - supplied control. Compressed air provides the pumping power, while electrical signals control pump speed (pumping rate).

### OPERATION

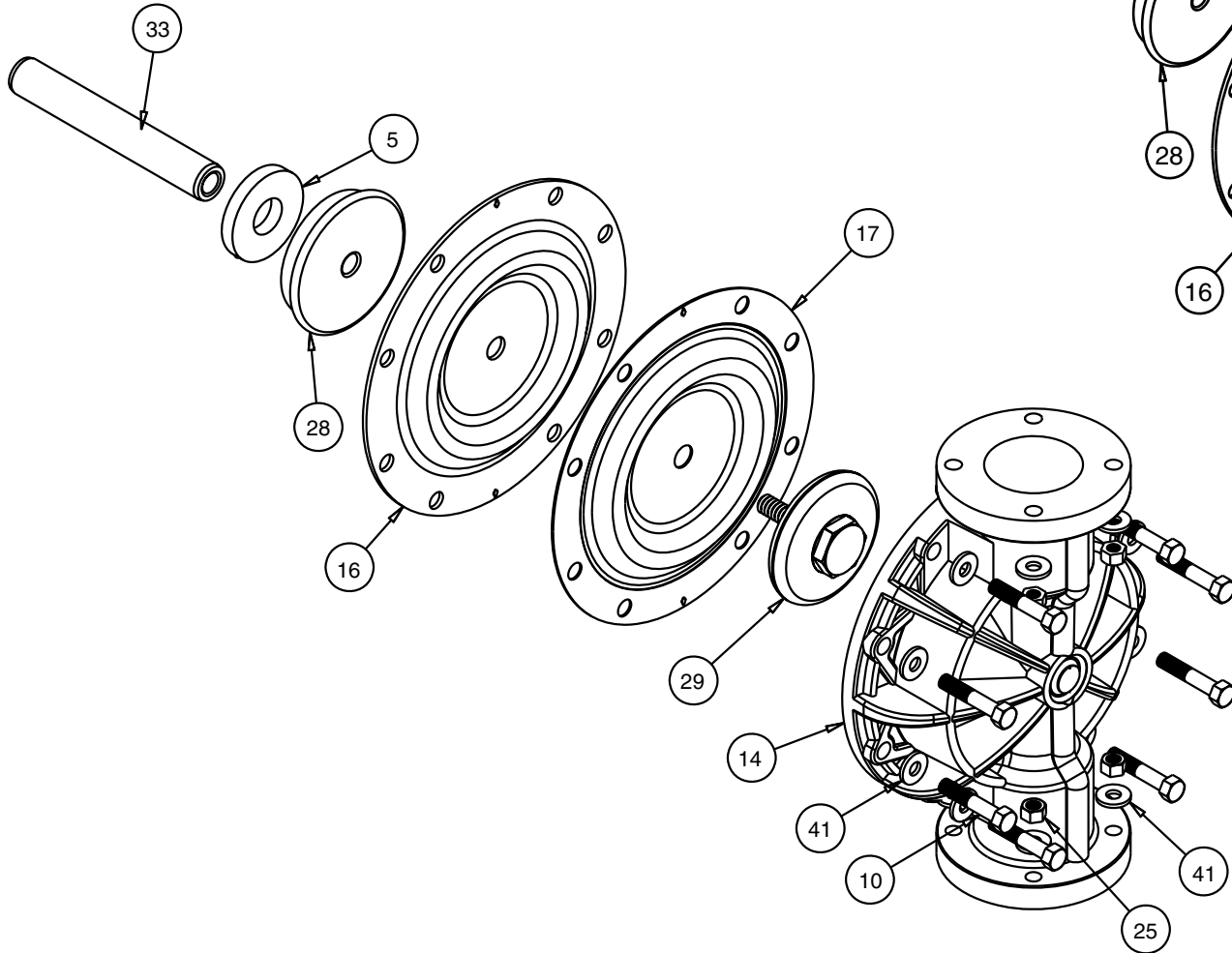
The Solenoid Shifted SANDPIPER has a solenoid operated, air distribution valve in place of the standard SANDPIPER's pilot operated, air distribution valve. Where a pilot valve is normally utilized to cycle the pump's air distribution valve, an electric solenoid is utilized. As the solenoid is powered, one of the pump's air chambers is pressurized while the other chamber is exhausted. When electric power is turned off, the solenoid shifts and the pressurized chamber is exhausted while the other chamber is pressurized. By alternately applying and removing power to the solenoid, the pump cycles much like a standard SANDPIPER pump, with one exception. This option provides a way to precisely control and monitor pump speed.

### BEFORE INSTALLATION

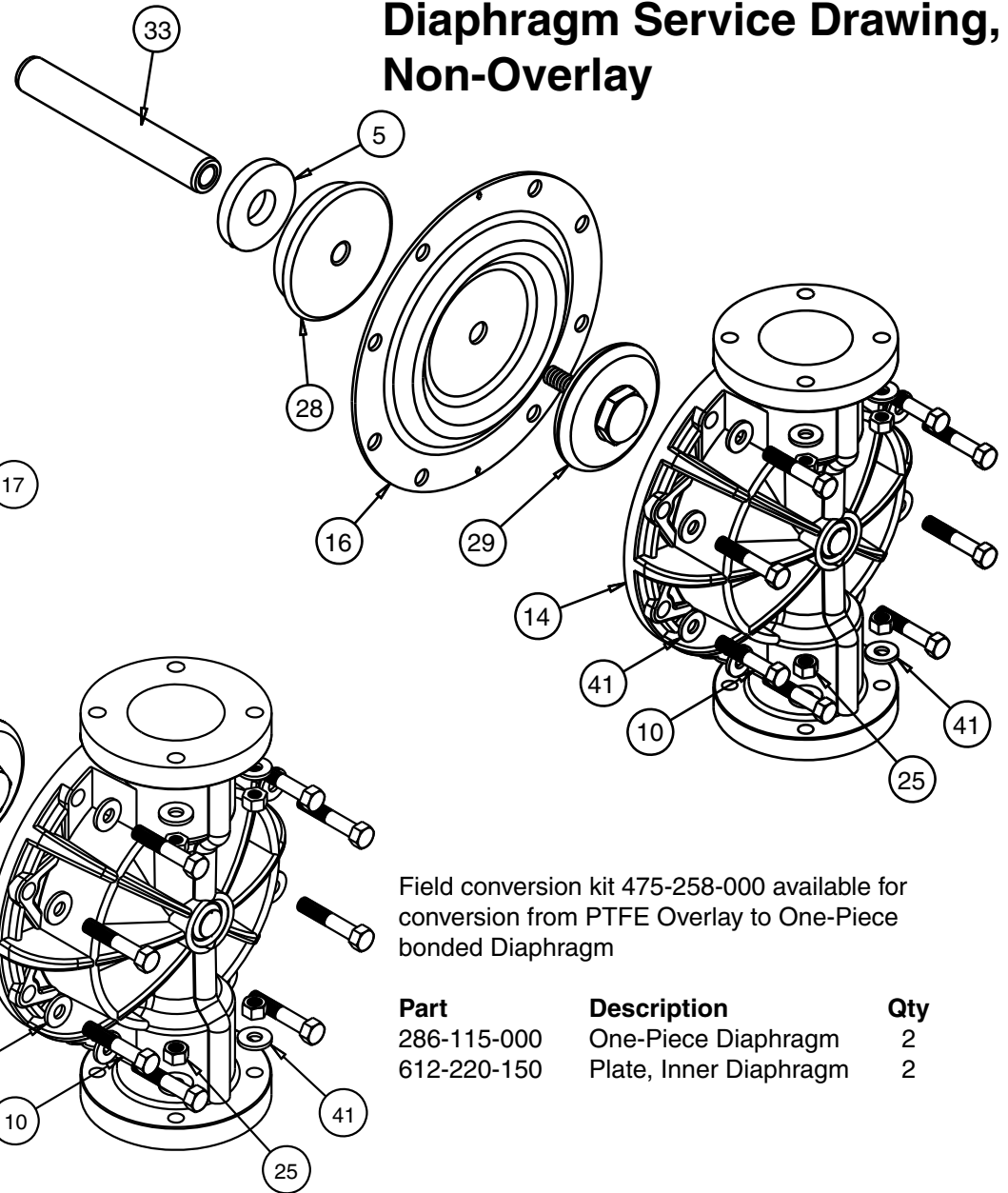
Before wiring the solenoid, make certain it is compatible with your system voltage.



# Diaphragm Service Drawing, with Overlay



# Diaphragm Service Drawing, Non-Overlay



Field conversion kit 475-258-000 available for conversion from PTFE Overlay to One-Piece bonded Diaphragm

Part	Description	Qty
286-115-000	One-Piece Diaphragm	2
612-220-150	Plate, Inner Diaphragm	2

## DIAPHRAGM SERVICING

To service the diaphragms first shut off the suction, then shut off the discharge lines to the pump. Shut off the compressed air supply, bleed the pressure from the pump, and disconnect the air supply line from the pump. Drain any remaining liquid from the pump.

**Step #1:** See the pump composite repair parts drawing, and the diaphragm servicing illustration.

Using a 9/16" wrench or socket, remove the 16 capscrews (items 8), hex flange nuts and washers that fasten the elbows (items 18 and 19) to the outer chambers (items 14). Remove the elbows with the manifolds and spacers attached.

**Step #2:** Removing the outer chambers.

Using a 9/16" wrench or socket, remove the 16 capscrews (items 10), hex flange nuts and washers that fasten the outer chambers, diaphragms, and inner chambers (items 15) together.

**Step #3:** Removing the diaphragm assemblies.

Use a 1<sup>3</sup>/<sub>8</sub>" (35mm) wrench or six pointed socket to remove the diaphragm assemblies (outer plate, diaphragm, and inner plate) from the diaphragm rod (item 33) by turning counterclockwise.

Insert a 1/4-20 capscrew or set screw into the smaller tapped hole in the inner diaphragm plate (item 28). Insert the protruding stud and the 1/4-

20 fastener loosely into a vise. Use a 1<sup>3</sup>/<sub>8</sub>" wrench or socket to remove the outer diaphragm plate (item 29) by turning counter-clockwise. Inspect the diaphragm (item 116) for cuts, punctures, abrasive wear or chemical attack. Replace the diaphragms if necessary.

**Step #4:** Installing the diaphragms. Push the threaded stud of the outer diaphragm plate through the center hole of the diaphragm. Thread the inner plate clockwise onto the stud. Use a torque wrench to tighten the diaphragm assembly together to 27 ft. Lbs. (36.61 Newton meters). Allow a minimum of 15 minutes to elapse after torquing, then re-torque the assembly to compensate for stress relaxation in the clamped assembly.

**Step #5:** Installing the diaphragm assemblies to the pump.

Make sure the bumper (item 5) is installed over the diaphragm rod.

Thread the stud of the one diaphragm assembly clockwise into the tapped hole at the end of the diaphragm rod (item 33) until the inner diaphragm plate is flush to the end of the rod. Insert rod into pump.

Align the bolt holes in the diaphragm with the bolt pattern in the inner chamber (item 15). Make sure the molded directional arrows on the diaphragm point vertically.

Fasten the outer chamber (item 14) to the pump, using the capscrews (items 10), hex flange nuts and flat washers.

On the opposite side of the pump, pull the diaphragm rod out as far as possible. Make sure the bumper (item 6) is installed over the diaphragm rod.

Thread the stud of the remaining diaphragm assembly clockwise into the tapped hole at the end of the diaphragm rod (item 33) as far as possible and still allow for alignment of the bolt holes in the diaphragm with the bolt pattern in the inner chamber. The molded directional arrows on the diaphragm must point vertically.

Fasten the remaining outer chamber (item 14) to the pump, using the capscrews (items 10), hex flange nuts and flat washers.

**Step #6:** Re-install the elbow/spacer/manifold assemblies to the pump, using the capscrews (items 8), hex flange nuts and flat washers.

The pump is now ready to be re-installed, connected and returned to operation.

## OVERLAY DIAPHRAGM SERVICING

The PTFE overlay diaphragm (item 17) is designed to fit snugly over the exterior of the standard TPE diaphragm (item 16).

The molded directional arrows on the overlay diaphragm must point vertically.

Follow the same procedures described for the standard diaphragm for removal and installation.



## ! IMPORTANT

*Read these instructions completely, before installation and start-up. It is the responsibility of the purchaser to retain this manual for reference. Failure to comply with the recommendations stated in this manual will damage the pump, and void factory warranty.*

## One-Piece Bonded DIAPHRAGM SERVICING (Bonded PTFE with integral plate)

The one-piece bonded diaphragm (item 17) has a threaded stud installed in the integral plate at the factory. The inner diaphragm plate has a through hole instead of a threaded hole.

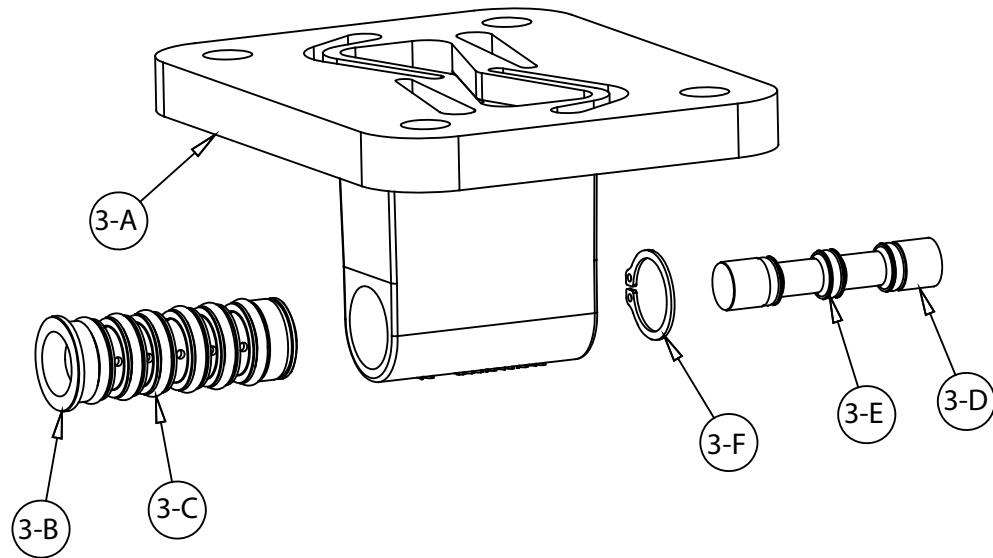
Place the inner plate over the diaphragm stud and thread the first diaphragm/inner plate onto the diaphragm rod only until the inner plate contacts the rod. Do not tighten. A small amount of grease may be applied between the inner plate and the diaphragm to facilitate assembly.

Insert the diaphragm/rod assembly into the pump and install the outer chamber. Turn the pump over and thread the second diaphragm / inner plate onto the diaphragm rod. Turn the diaphragm until the inner plate contacts the rod and hand tighten the assembly. Continue tightening until the bolt holes align with the inner chamber holes. **DO NOT LEAVE THE ASSEMBLY LOOSE.**

# Pilot Valve Servicing, Assembly Drawing & Parts List

## PILOT VALVE ASSEMBLY PARTS LIST

ITEM	PART NUMBER	DESCRIPTION	QTY
3	095-110-558	Pilot Valve Assembly	1
3-A	095-095-558	Valve Body	1
3-B	755-052-000	Sleeve (With O-rings)	1
3-C	560-033-360	O-ring (Sleeve)	6
3-D	775-055-000	Spool (With O-rings)	1
3-E	560-023-360	O-ring (Spool)	3
3-F	675-037-080	Retaining Ring	1



### PILOT VALVE SERVICING

To service the pilot valve first shut off the compressed air supply, bleed the pressure from the pump, and disconnect the air supply line from the pump.

**STEP #1:** See pump assembly drawing.

Using a 1/2" wrench or socket, remove the four capscrews (item 11). Remove the air inlet cap (item 7) and air inlet gasket (item 22). The pilot valve assembly (item 3) can now be removed for inspection and service.

**STEP #2:** Disassembly of the pilot valve.

Remove the pilot valve spool (item 3-D). Wipe clean and inspect spool and o-rings for dirt, cuts or wear. Replace the o-rings and spool if necessary.

Remove the retaining ring (item 3-F) from the end of the sleeve (item 3-B) and remove the sleeve from the valve body (item 3-A). Wipe clean and inspect sleeve and o-rings for dirt, cuts or wear. Replace the o-rings and sleeve if necessary.

**STEP #3:** Re-assembly of the pilot valve.

Generously lubricate outside diameter of the sleeve and o-rings. Then carefully insert sleeve into valve body. Take CAUTION when inserting sleeve, not to shear any o-rings. Install retaining ring to sleeve. Generously lubricate outside diameter of spool and o-rings. Then carefully insert spool into sleeve. Take CAUTION when inserting spool, not to shear any o-rings. Use BP-LS-EP-2 multipurpose grease, or equivalent.

**STEP #4:** Re-install the pilot valve assembly into the intermediate.

Be careful to align the ends of the pilot valve stem between the plunger pins when inserting the pilot valve into the cavity of the intermediate.

Re-install the gasket, air inlet cap and capscrews. Connect the air supply to the pump. The pump is now ready for operation.

## PUMPING HAZARDOUS LIQUIDS

When a diaphragm fails, the pumped liquid or fumes enter the air end of the pump. Fumes are exhausted into the surrounding environment. When pumping hazardous or toxic materials, the exhaust air must be piped to an appropriate area for safe disposal. See illustration #1 at right.

This pump can be submerged if the pump materials of construction are compatible with the liquid being pumped. The air exhaust must be piped above the liquid level. See illustration #2 at right. Piping used for the air exhaust must not be smaller than 1" (2.54 cm) diameter. Reducing the pipe size will restrict air flow and reduce pump performance. When the pumped product source is at a higher level than the pump (flooded suction condition), pipe the exhaust higher than the product source to prevent siphoning spills. See illustration #3 at right.

## CONVERTING THE PUMP FOR PIPING THE EXHAUST AIR

The following steps are necessary to convert the pump to pipe the exhaust air away from the pump.

Use a #8 Torx or flat screwdriver to remove the four self-tapping screws (item 1-L).

Remove the muffler cap and muffler (items 1-E and 1-G). The 1" NPT molded threads in the air distribution valve body (item 1-B).

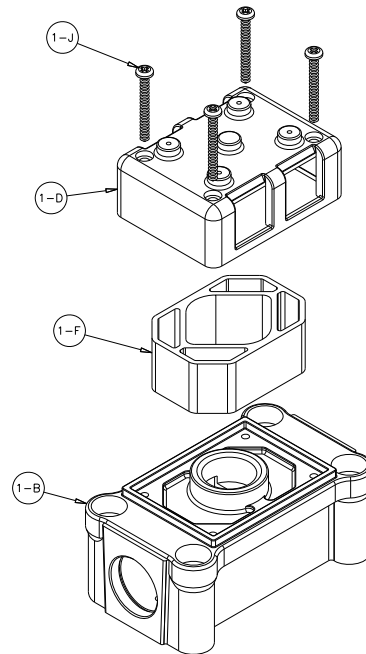
Piping or hose may now be installed.

## IMPORTANT INSTALLATION NOTE:

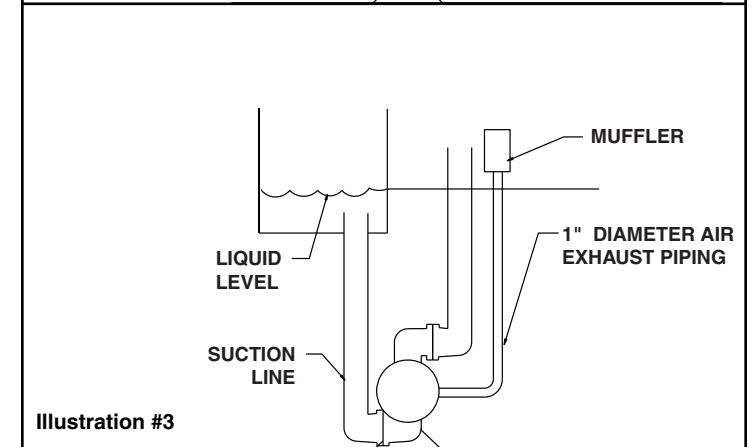
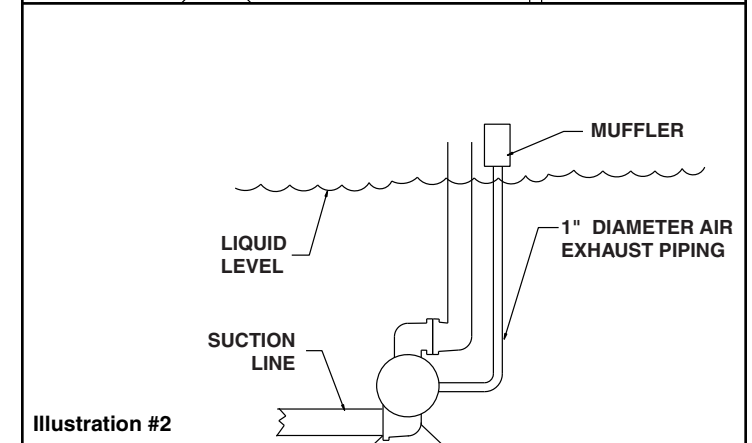
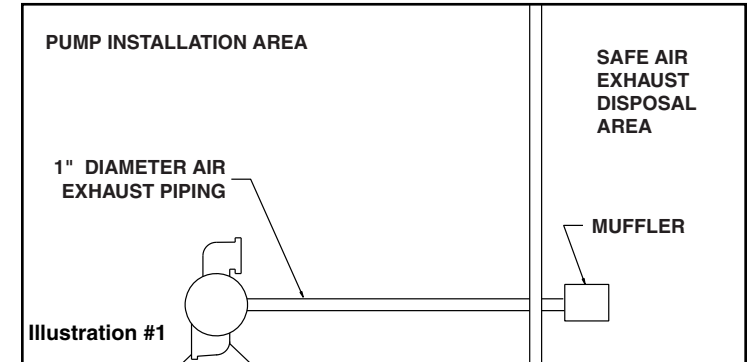
The manufacturer recommends installing a flexible hose or connection between the pump and any rigid plumbing. This reduces stresses on the molded plastic threads of the air exhaust port. Failure to do so may result in damage to the air distribution valve body.

Any piping or hose connected to the pump's air exhaust port must be physically supported. Failure to support these connections could also result in damage to the air distribution valve body.

## Exhaust Conversion Drawing



## CONVERTED EXHAUST ILLUSTRATION



## MODULAR CHECK VALVE SERVICING

Before servicing the check valves, first shut off the suction line and then the discharge line to the pump. Next, shut off the compressed air supply, bleed air pressure from the pump, and disconnect the air supply line from the pump. Drain any remaining fluid from the pump. The pump can now be removed for service.

To access the modular check valve, remove the elbows (items 18 and 19 from pump composite repair parts drawing). Use a 9/16" wrench or socket to remove the fasteners. Once the elbows are removed, the modular check valves can be seen in the cavities of the outer chamber (items 14).

Next remove the check valve seal (item 36). Inspect the seal for cuts or pinched areas. Replace seal as needed.

Disassemble the component parts of each modular check valve. Inspect the check valve retainer (item 31) for cuts, abrasive wear, or embedded materials. Replace as needed.

Inspect the check balls (items 2) for wear, abrasion, or cuts on the spherical surface. The check valve seats (items 37) should be inspected for cuts, abrasive wear, or embedded material on the surfaces of both the external and internal chamfers. The spherical surface of the check balls must seat flush to the surface of the inner chamfer on the check valve seats for the pump to operate to peak efficiency. Replace any worn or damaged parts as necessary.

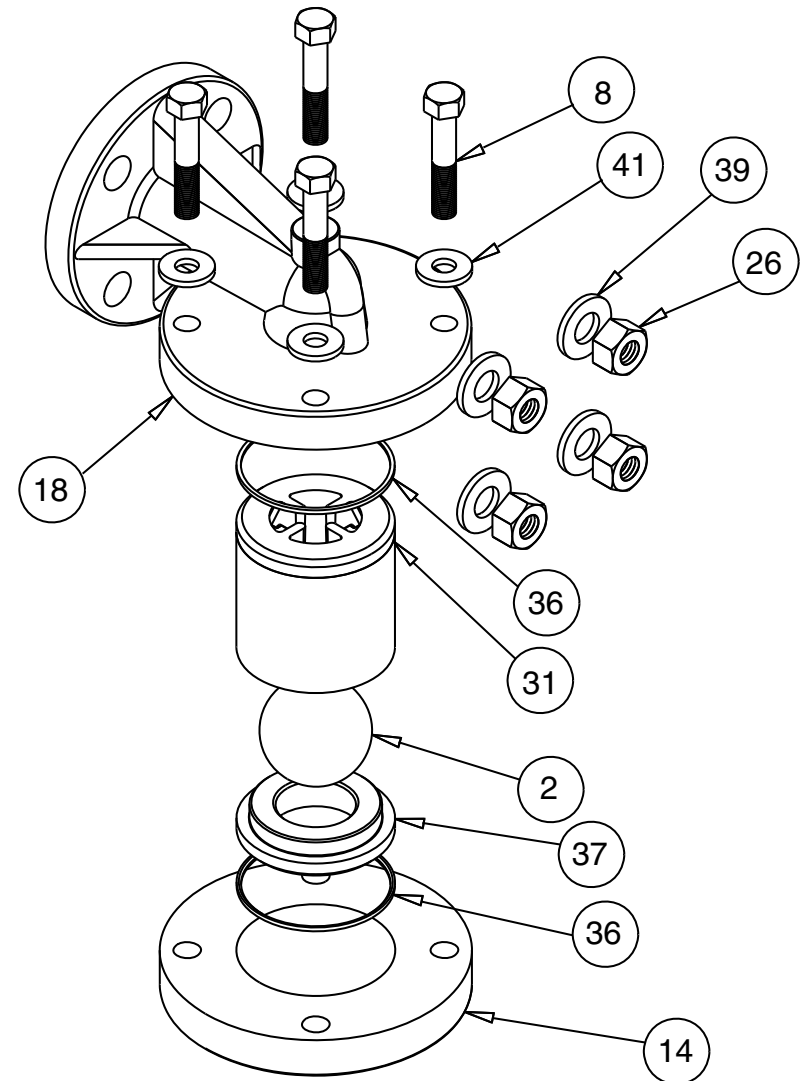
Remove the remaining check valve seal (item 36). Inspect the seal for cuts or pinched areas. Replace seal as needed.

Re-assemble the modular check valve. The seat should fit snugly into the retainer.

Place a check valve seal (item 36) into the cavity of the outer chamber (item 14). Make sure the chamfer side of the seal faces out. Insert the modular check valve into the outer chamber with the retainer facing up. Install a check valve seal (item 36). Make sure the chamfer side of the seal faces the chamfer on the check valve seat or retainer.

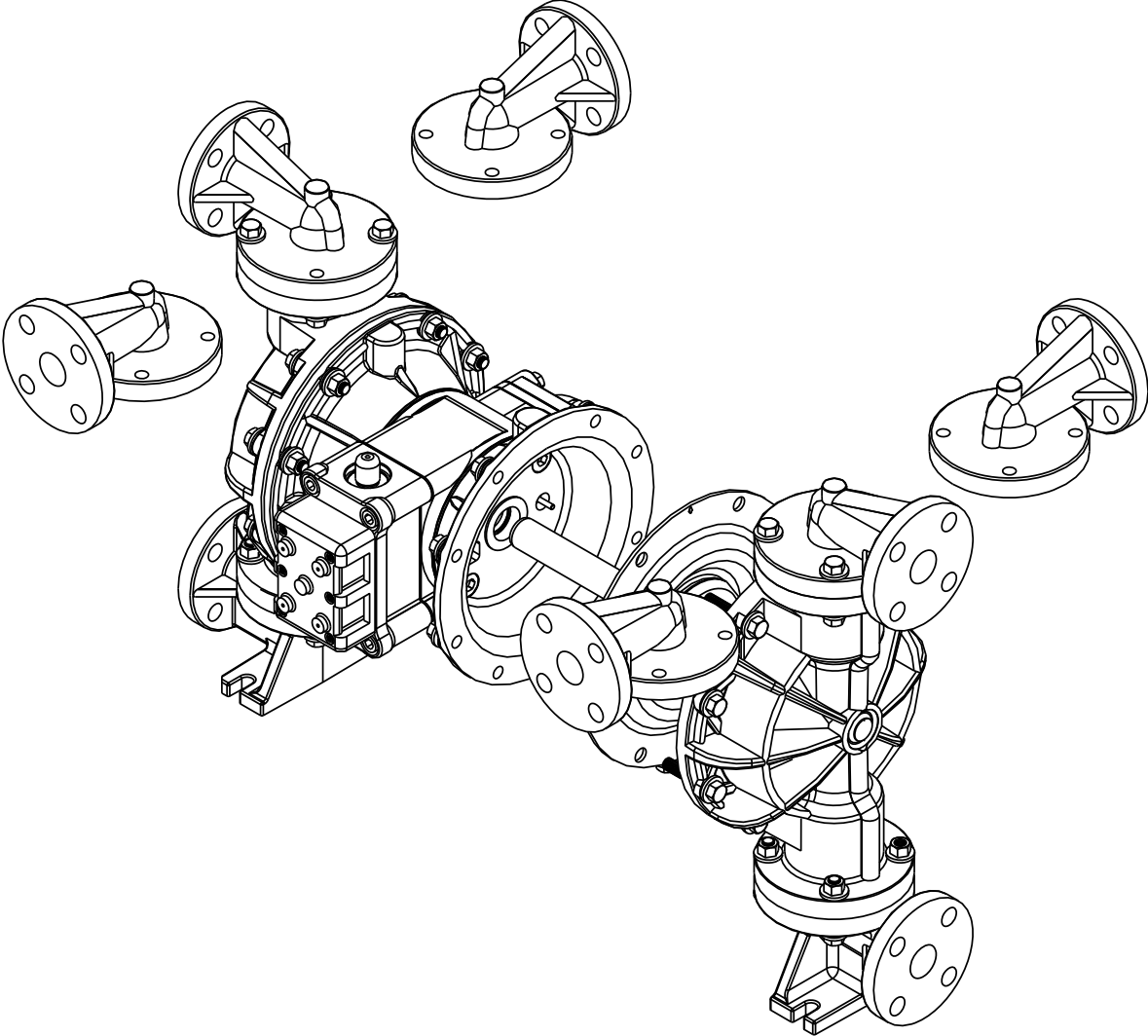
The pump can now be reassembled, reconnected and returned to operation.

## Modular Check Valve Drawing





# Dual Port Option Drawing



### DUAL PORTING OPTIONS

Several dual porting options are possible. The pump can be converted to a dual port arrangement on both the suction and the discharge ends. The porting can be configured to a single suction and a dual discharge. The porting can be changed to a dual suction and a single discharge.

The above changes are possible because the porting flange of the elbows (items 18 and 19) are designed to mate with standard 125# ANSI style 4-bolt, 1" pipe flanges.

### DUAL PORTING OF BOTH SUCTION AND DISCHARGE ENDS OF THE PUMP

Converting the pump from the standard single suction and discharge porting configuration to dual porting at each end is easy. Simply remove the manifold seals, spacers, and manifolds (items 35 and 23 from pump assembly drawing) from the pump.

The discharge and suction elbows can be rotated at 90° increments (see arrows and optional positioning in the Dual Porting Drawing).

### SINGLE PORTING OF THE SUCTION AND DUAL PORTING OF THE PUMP DISCHARGE

To convert the pump from the standard single suction and single discharge porting configuration to a dual discharge porting arrangement remove the only the discharge manifolds, spacers, and manifold seals. Position the discharge elbows in the desired direction at 90° increments. (See arrows and optional positioning in the Dual Porting Drawing.)

### DUAL PORTING OF THE SUCTION AND SINGLE PORTING OF THE PUMP DISCHARGE

To convert the pump from the standard single suction and single discharge porting configuration to a dual suction porting arrangement remove the only the suction (bottom) manifolds, spacers, and manifold seals.

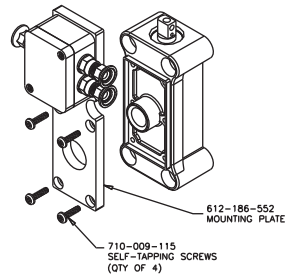
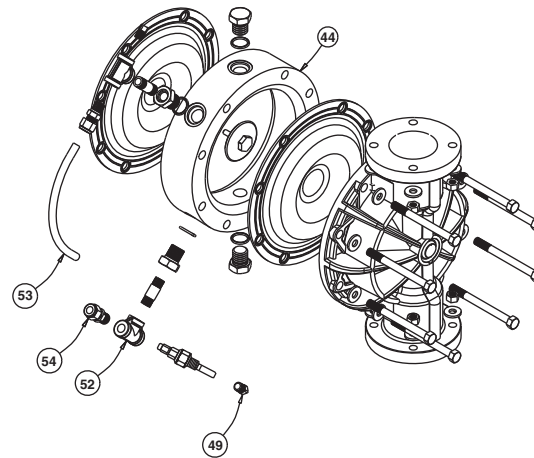
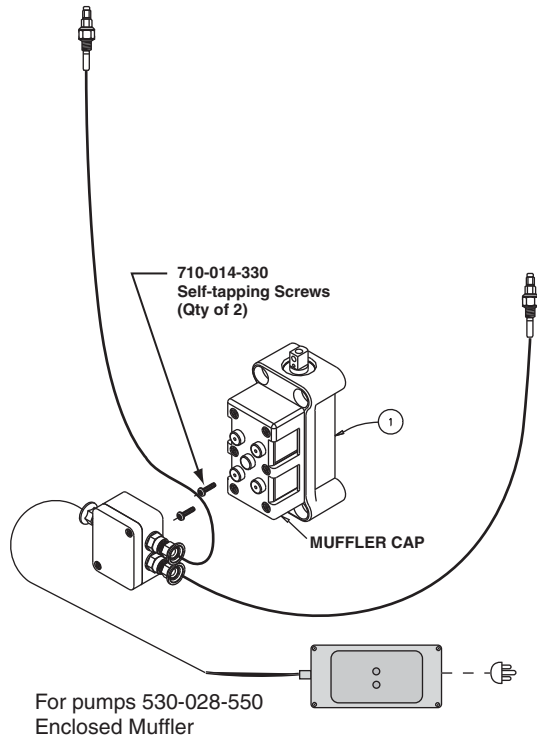
Position the suction elbows in the desired direction at 90° increments. (See arrows and optional positioning in the Dual Porting Drawing.)



### **! IMPORTANT**

*Read these instructions completely, before installation and start-up. It is the responsibility of the purchaser to retain this manual for reference. Failure to comply with the recommendations stated in this manual will damage the pump, and void factory warranty.*

# Leak Detection Options Drawing



For pumps with Alternate Mufflers

## LEAK DETECTION OPTION A (ELECTRONIC)

Follow instructions found elsewhere in this manual, "Filling the Spill Containment Chambers" when installing leak detectors.

### Electronic Leak Detector Installation

Kit 032-037-000	100VAC	50Hz
	or 110-120VAC	50 / 60Hz
	or 220-240VAC	50 / 60Hz

Kit 032-045-000 12-32VDC

To install electronic leak detectors, remove the bottom ¼" NPT pipe plug on the visual sight tube (item 53). Insert leak detector into the ¼" pipe tee (item 52).

### Leak Detection Option B (Mechanical)

Follow instructions found elsewhere in this manual, "Filling the Spill Containment Chambers" when installing leak detectors.

### Mechanical Leak Detector Installation

Kit 031-023-110

To install mechanical leak detectors, remove the bottom ¼" NPT pipe plug on the visual sight tube (item 53). Insert leak detector into the ¼" pipe tee (item 52).

# Pulse Output Kit Drawing

## PULSE OUTPUT KIT OPTION

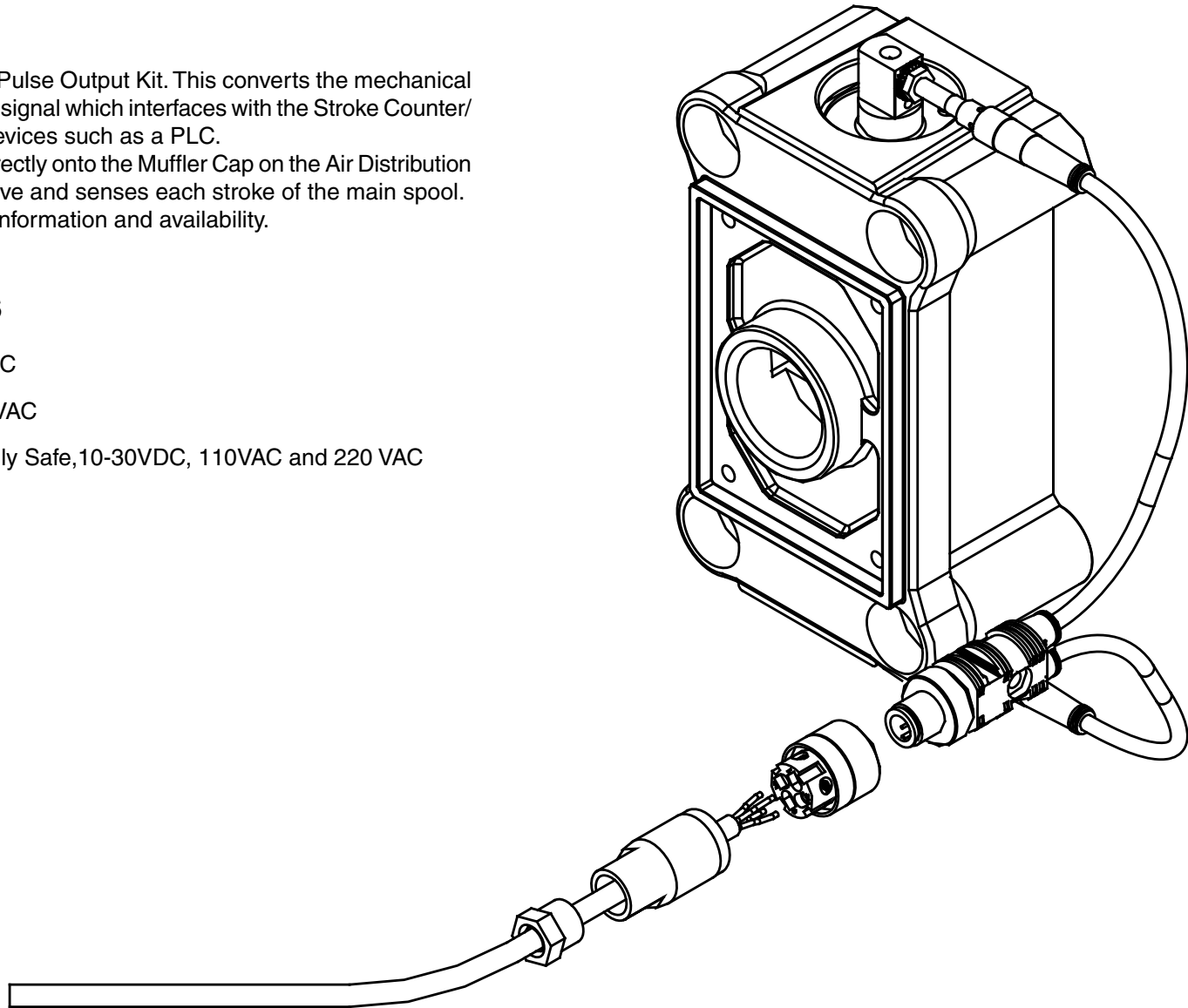
This pump can be fitted with a Pulse Output Kit. This converts the mechanical strokes of the pump to an electrical signal which interfaces with the Stroke Counter/ Batch Controller or user control devices such as a PLC.

The Pulse Output Kits mount directly onto the Muffler Cap on the Air Distribution Valve Assembly or onto the air valve and senses each stroke of the main spool.

Consult the factory for further information and availability.

## Pulse Output Kits

475-244-001	10-30 VDC
475-244-002	110/220 VAC
475-244-003	Intrinsically Safe, 10-30VDC, 110VAC and 220 VAC



# Optional Muffler Configurations, Drawing

## OPTION 0

530-028-550 Integral Muffler uses (1) Cap and (4) 710-015-115 Self Tapping Screw to hold it in place.

## OPTION 1

530-027-000 Sound Dampening Muffler screws directly into the Air Valve body. This muffler is equipped with a porous plastic element.

## OPTION 2

530-010-000 Mesh Muffler screws directly into the Air Valve Body. This muffler is equipped with a metal element.

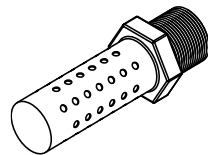


## OPTION 6

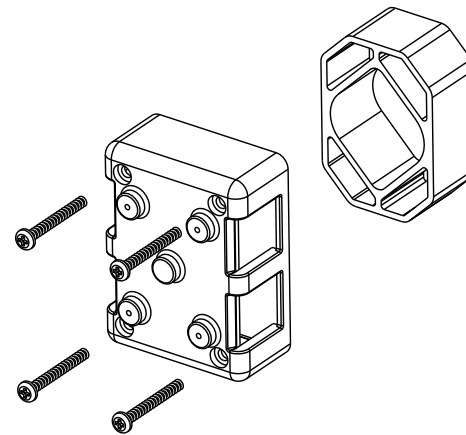
530-033-000 Metal Muffler screws directly into the Air Body.



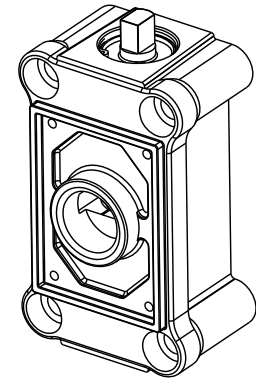
**ATEX Compliant**



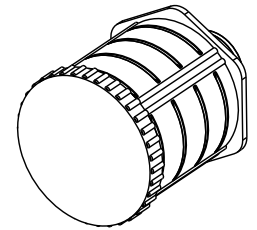
**Option 6**



**Option 0**

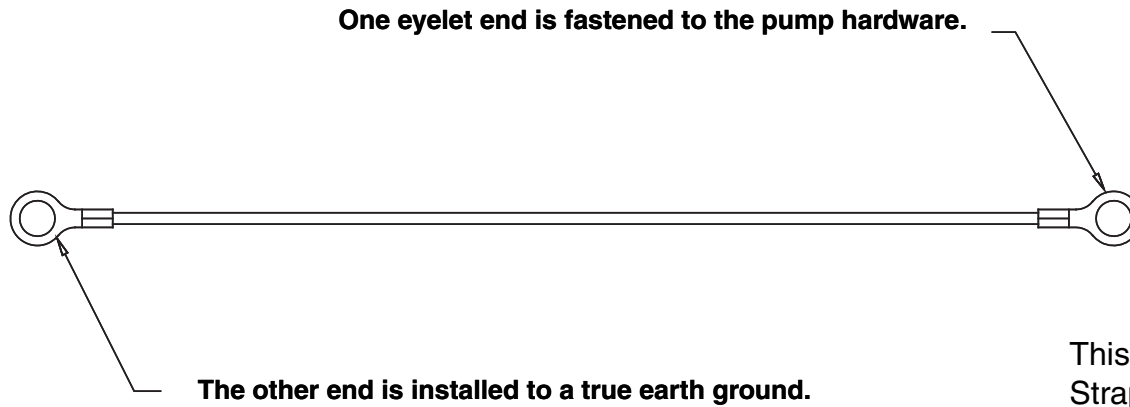


**Option 1 and 2**



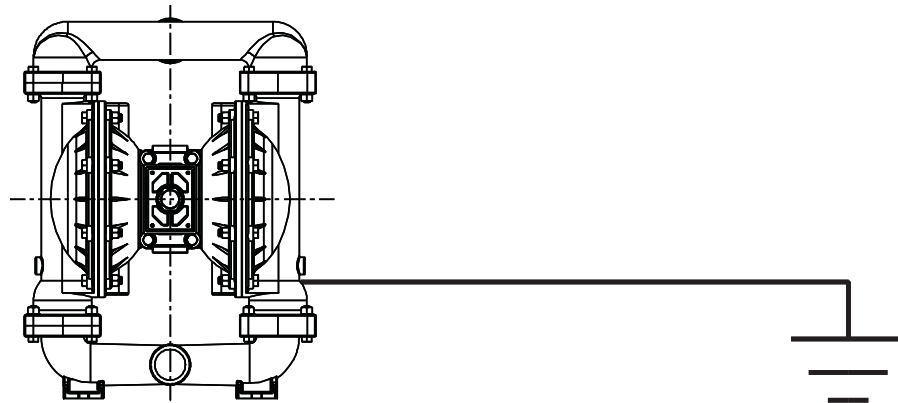
# Grounding The Pump

To be fully groundable, the pumps must be ATEX Compliant. Refer to pump data sheet for ordering.



This optional 8 foot long (244 centimeters) Ground Strap (920-025-000) is available for easy ground connection.

To reduce the risk of static electrical sparking, this pump must be grounded. Check the local electrical code for detailed grounding instruction and the type of equipment required.



	<b>! WARNING</b>
	<i>Take action to prevent static sparking. Fire or explosion can result, especially when handling flammable liquids. The pump, piping, valves, containers or other miscellaneous equipment must be grounded.</i>

Declaration of Conformity

Declaration of Conformity

**WARREN  
RUPP®**

**IDEX**  
FLUID & METERING

### Declaration of Conformity

Warren Rupp, Inc., 800 North Main Street, Mansfield, Ohio, certifies that Air-Operated Double Diaphragm Pumps Series: HDB, HDF, M Non-Metallic, S Non-Metallic, M Metallic, S Metallic, Containment Duty, Gas, UL, High Pressure, W, Submersible and Tranquilizers comply with the European Community Directive 98/37/EC, Safety of Machinery. This product has used EN 809, Pumps and Pump Units for Liquids - Common Safety Requirements harmonized standard to verify conformance.

David Roseberry

Signature of authorized person

October 20, 2005

Date of issue

David Roseberry

Printed name of authorized person

Engineering Manager

Title

CE