

Features

- ▶ Competitive pricing for volume applications
- ▶ Ultra low profile - 0.6mm high
- ▶ Light weight miniature package
- ▶ Vacuum sealed for high stability

Specifications

Parameters	Product	Option Code
	GWX-2012	
Frequency:	32.768kHz	■
Calibration tolerance:	±20ppm ±100ppm	■ □ specify
Operating temperature range:	-40 to +85°C	■
Storage temperature range:	-55 to +125°C	■
Circuit condition:	7pF 9pF 12.5pF	□ □ □ specify specify
Static capacitance (C ₀):	1.3pF typ	■
Equivalent series resistance:	70kΩ max @ 25°C	■
Ageing:	±3ppm max first year	■
Drive level:	1.0μW max	■
Turnover temperature (T ₀):	+25°C ±5°C	■
Frequency / temp coefficient:	-0.033ppm/°C ² typ	■

■ Standard. □ Optional - Please specify required code(s) when ordering

Ordering Information

Product name + frequency + calibration tolerance + circuit condition
 eg: **GWX-2012 32.768kHz ±20ppm 9pF**
 Option code X (eg GWX-2012/X) denotes a custom spec.



Construction

- ▣ Ceramic body with gold-plated pads
- ▣ Metal lid, vacuum sealed

Composition



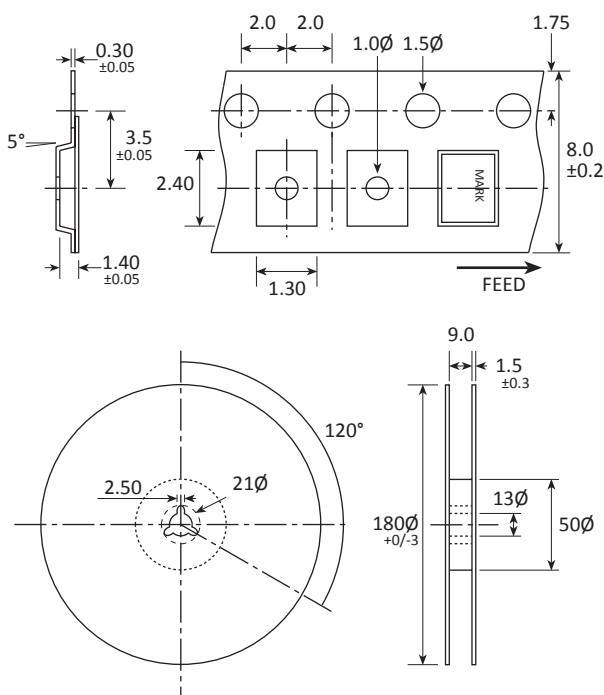
This product is lead-free, and is fully compliant with current RoHS directives



Packaging & Handling

Production quantities supplied on T&R, 3k pcs per reel.
Small quantities may be supplied on tape (no reel), or in bulk.

Tape & Reel Specification



Not to scale. Dimensions in mm. Tolerances ±0.1mm unless otherwise stated.

Soldering Profile

