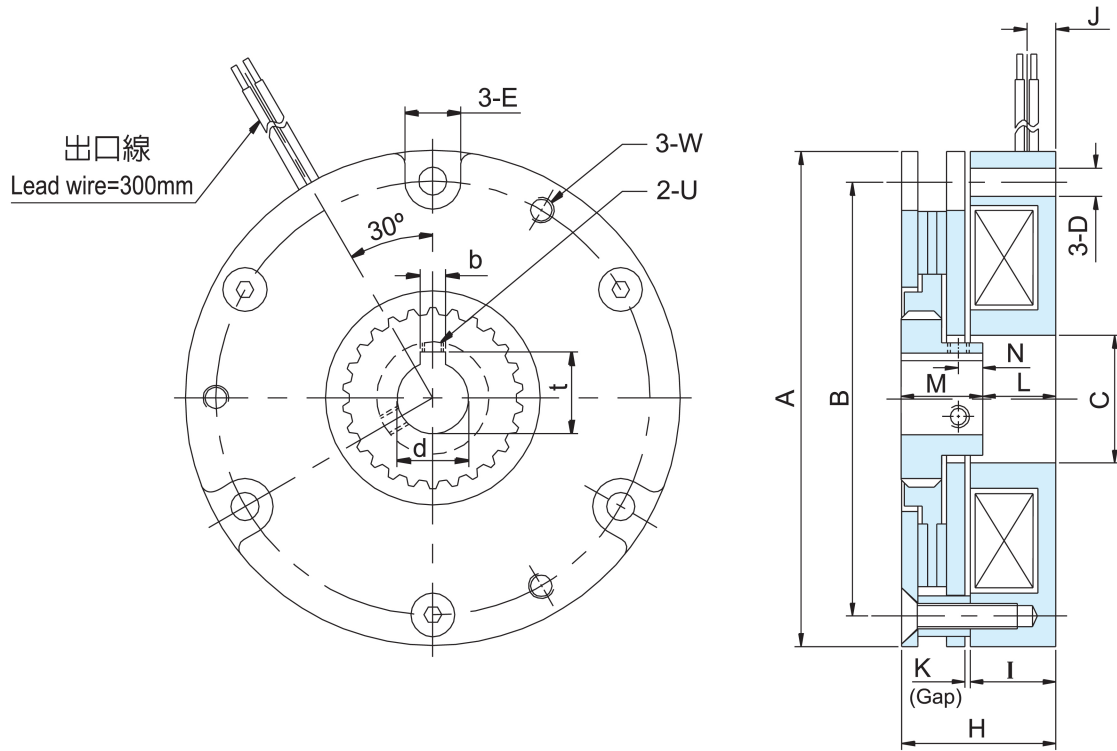


SMB Series

安全煞車器 Safety Brake



型號 MODEL	SMB0S2AA	SMB0S4AA	SMB0S8AA	SMB1S6AA	SMB003AA	SMB005AA	SMB010AA	SMB020AA	
靜摩擦力 [kg-m] Static Torque	0.2	0.4	0.8	1.6	3	5	10	20	
電壓 (VDC) Voltage	24/90								
功率 (W) Power(@24°C)	9	12.5	15	18	23	26.5	33	45	
慣性距 J (kgcm ²) Moment of inertia J	0.09	0.16	0.29	0.84	0.87	3.84	13	21	
徑向尺寸 Radial	A	77	85	97	117	125	145	165	187
	B	68	74	85	108	112	130	150	170
	C	20	20	25	40	49	49	62	62
	D	4.5	5.5	5.5	5.5	6.5	6.5	9	9
	E	10	11	11	11	14	14.3	18	18
軸向尺寸 Axial	H	25	27.5	29.4	34.3	45.6	48	60	70
	I	15	16	16.8	19.5	26	27	32	38
	J	6.5	7	7.5	8	9	10	17	22
	K	0.1~0.2	0.1~0.2	0.1~0.2	0.1~0.2	0.1~0.3	0.1~0.3	0.1~0.3	0.1~0.3
	L	17.4	15.6	13.6	15.5	21.5	23.4	22	21
	M	8	12	16	20	25	25	30	40
螺孔 Screws	U	-	-	M4*P0.7	M5*P0.8	M6*P1.0	M6*P1.0	M6*P1.0	M6*P1.0
	W	-	-	-	-	M5*P0.8	M5*P0.8	M6*P1.0	M6*P1.0
孔徑 Bore	ød H7	12	12	14	19	19	24	28	32
鍵槽 Keyway	b E9	4	4	5	5	5	7	7	10
	t ^{+0.2} ₀	13.5	13.5	16	21	21	27	31	35.5
重量 (kg) Weight	0.6	0.8	1.1	1.8	2.8	3.8	5	12.2	



電磁式安全煞車器 電動代步車-電動輪椅專用系列

MAGNETIC SAFETY BRAKE SCOOTER AND WHEELCHAIRS SERIES



ALY001MA



ALS0S2AW



ALY0S3AA



ALS0S4AH



ALSS013A



ACY001AC



ALY0S2AA



ALY1S2AA



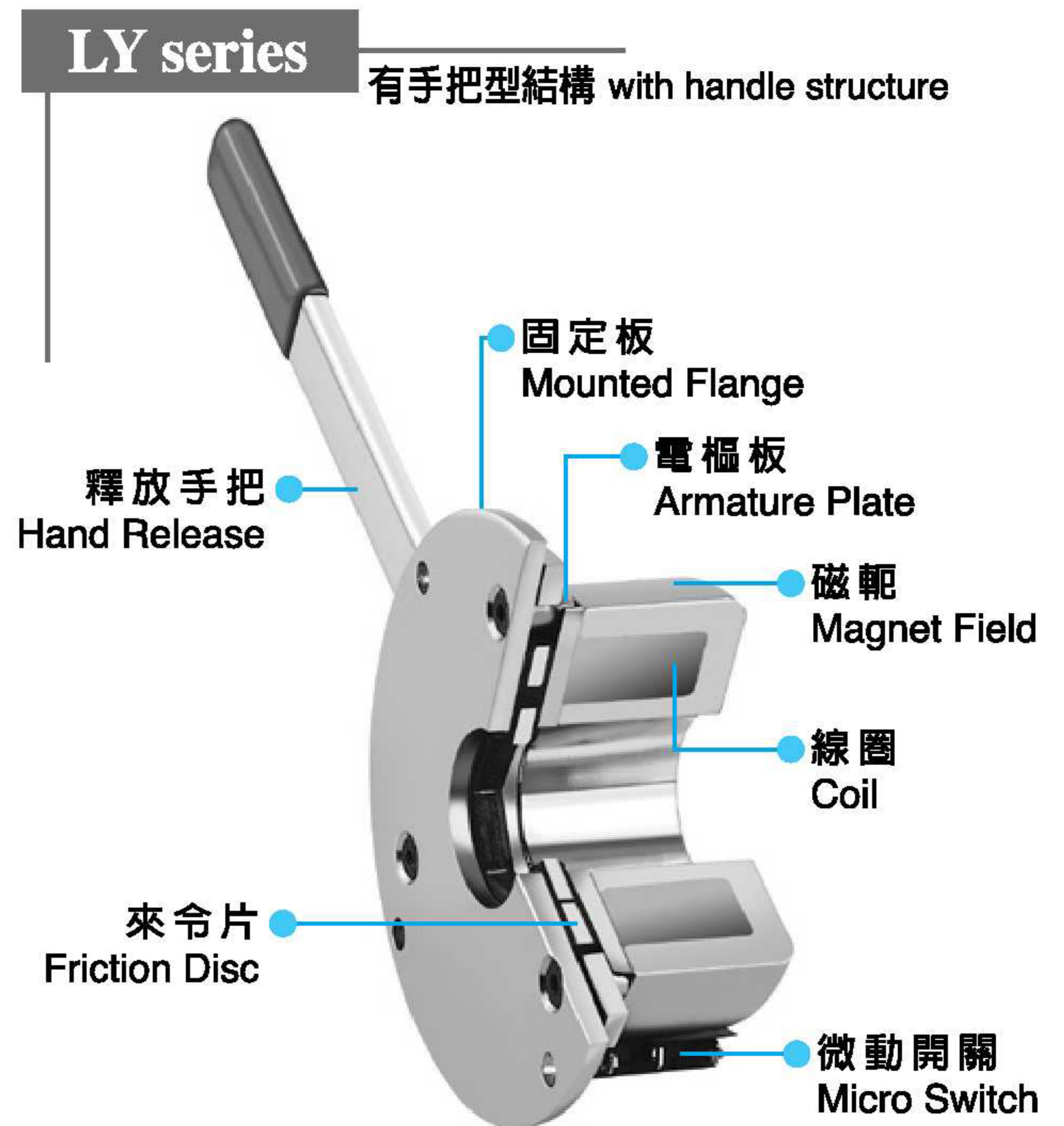
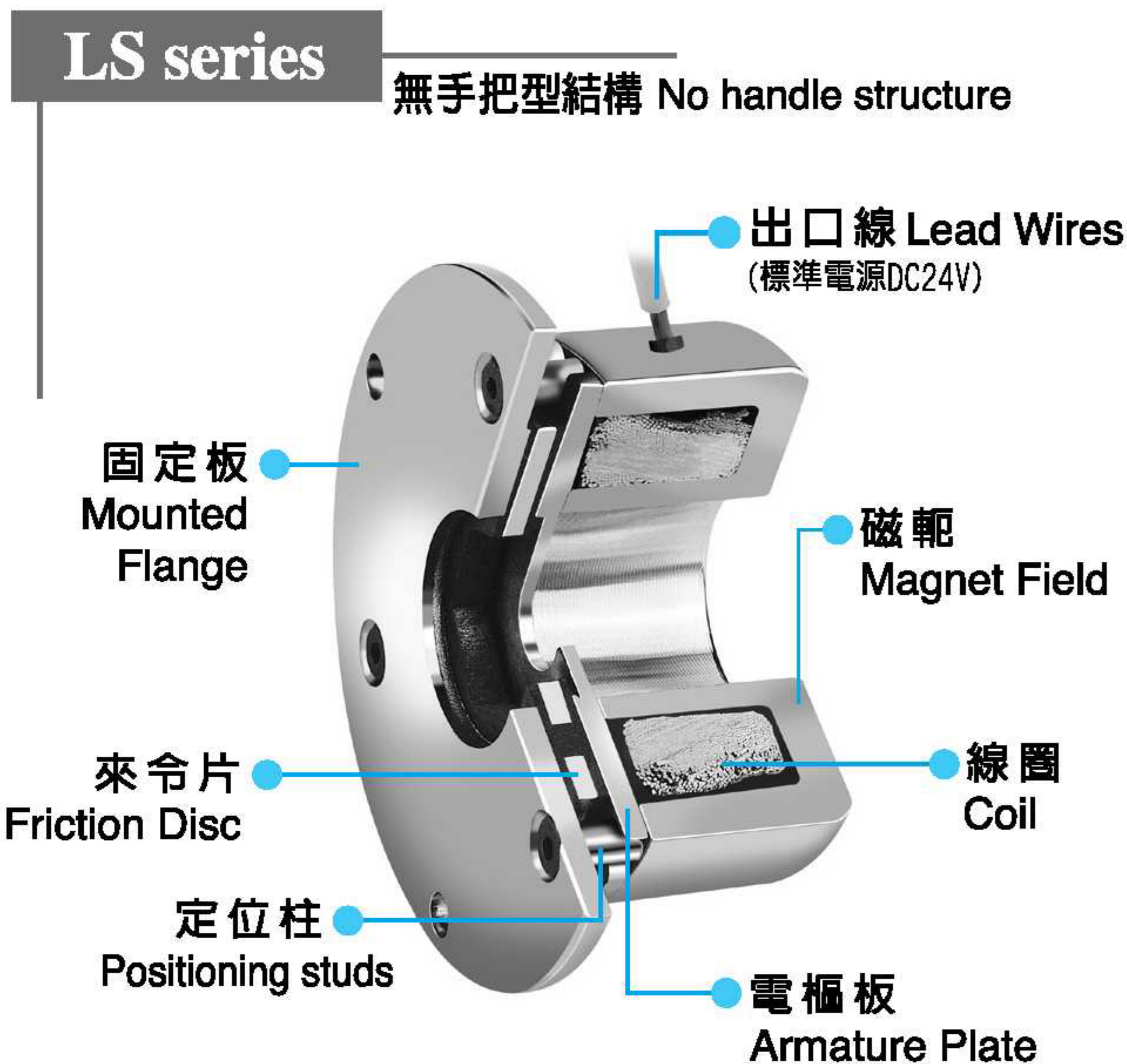
L series for Scooters and Wheelchairs

L系列 電動代步車 電動輪椅專用系列

此無激磁動作型的電子安全制動器屬於以彈簧力進行制動的彈簧封閉型。本款制動器極具安全性在停電時的緊急制動，長時間保持停止不動防止機械的慣性移動。

多方面都發揮了極為優越的性能，本公司生產此機種已經10幾年，其生產過程中經過多次的性能改良，在品質及技術方面已經領先其他公司。眾多的機種，在使用過的客戶中已獲得相當多的好評及信賴。

This type of design features safety spring-driven sealed units with no electromagnetic actions. They are extremely safe and can be use even when power is not available, and they can also remain stopped for long periods of time to prevent damage to machines. Most of these products feature superior performance, and Chien-tai has more than years of manufacturing experience in this category. Through these years we have made considerable changes and improvements, and we lead the industry in quality and technology. We offer a wide range of models, all of which have won great praise from those who have used them.



特色 Special Features

- 1 安全，確實的制動力 Safety and absolute control
扭力變化小，即使發生異常狀況也可以瞬間制動負載是相當安全的制動器。
Little variation in torque for fast response even in abnormal conditions for maximum safety.
- 2 安靜的運轉噪音 Quiet operation
本款制動器減低了運轉中的噪音，即使在安靜場所也不必在意。
Noise during operation is reduced to a minimum and the unit functions virtually unnoticed
- 3 可以手動解除 Manual release when needed
即使處於制動，保持的狀態只要拉起手動解除桿就可以解除制動力。
Operation is steady and dependable, and a manual release disengages the clutch should this be necessary
- 4 壽命長 Durability
本款使用了耐摩耗的非石棉複合材料作來令片，長時間使用摩耗率也非常低。
Non-asbestos compounds are used in linings for long life with minimal wear
- 5 組裝，調整容易 Easy installation and adjustment
與馬達裝置的安裝很簡單，調整也非常容易。
Installation together with a motor is simple and easy, and adjustments are very easy.

用途及扭力範圍 Applications and torque ranges

適用於電動代步車、電動輪椅、高爾夫球車、機場電動行李車、電動搬運車、電動拉車。

This unit is suitable for use in transporters, motorized wheelchairs, golf carts, airport luggage carriers, electric transport and electric tow vehicles

標準靜摩擦扭力 Standard static friction and torque

- 無手把 10Nm-110Nm
No handle: 10Nm ~ 110Nm
- 有手把 20Nm-110Nm
With handle: 20Nm ~ 110Nm
- 本公司亦製作特殊規格的樣品及型錄以外的尺寸。
Other specifications available on request

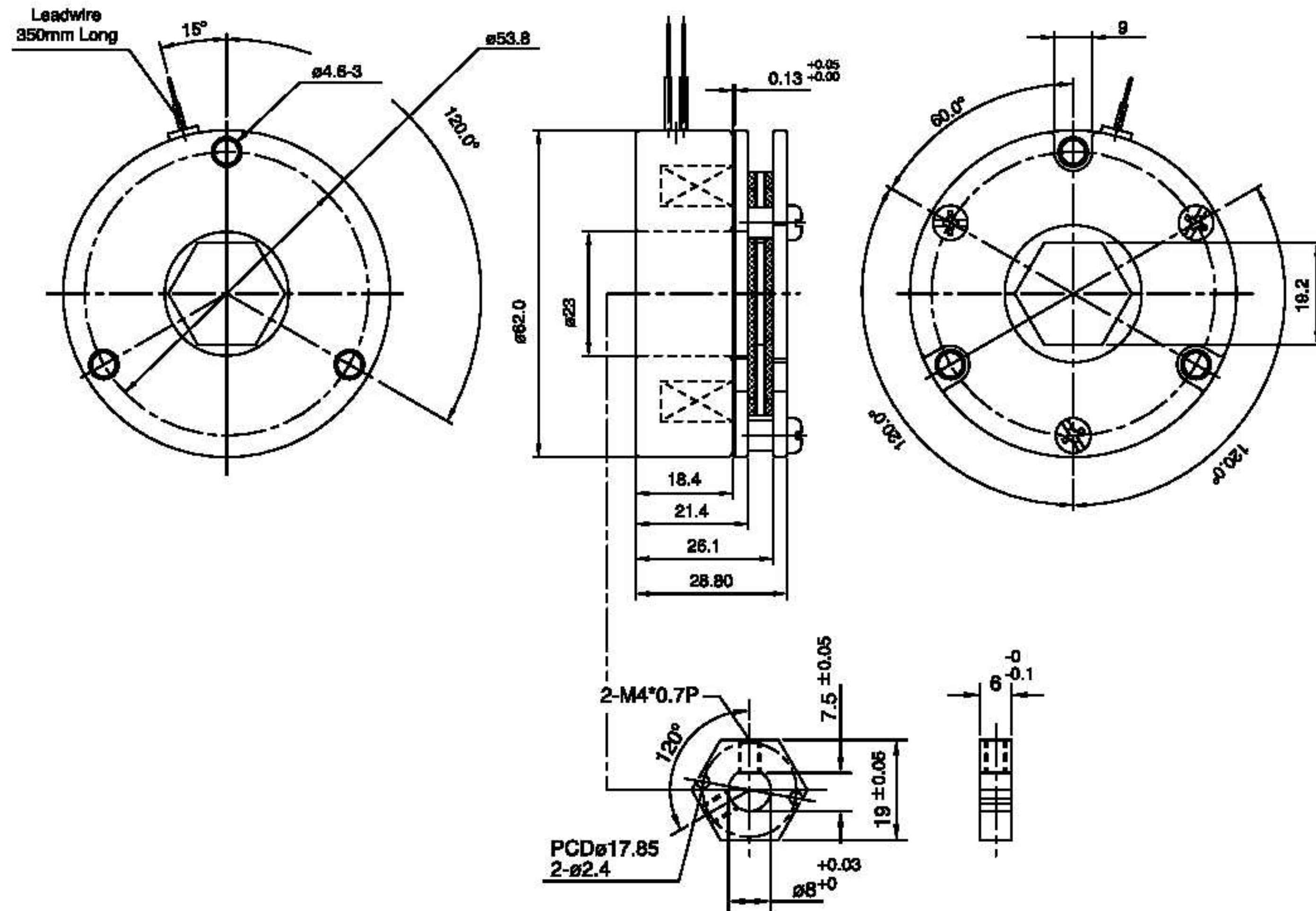


ALSOS2AP

安全煞車器 Safety Brake

產品規格表 SPECIFICATIONS:

型號 Model	電壓 D.C. Voltage	阻抗 D.C. Resistance	功率 Power	絕緣等級 Insulation Classification	動摩擦轉矩 Dynamic Friction Torque kgm(Nm)	靜摩擦轉矩 Static Friction Torque kgm(Nm)	絕緣阻抗 Insulation Resistance	絕緣耐壓 Insulation Pressure Durability	作動電壓 Dynamic Voltage	間隙 (mm) Gap	重量 (kg) Weight
ALSOS2AP	24V	67Ω	8.4W	F	0.18(1.8)	0.2(2.0)	500VDC/50MΩ以上	1500V/1MA/1SEC	16V	0.13-0.18	0.60

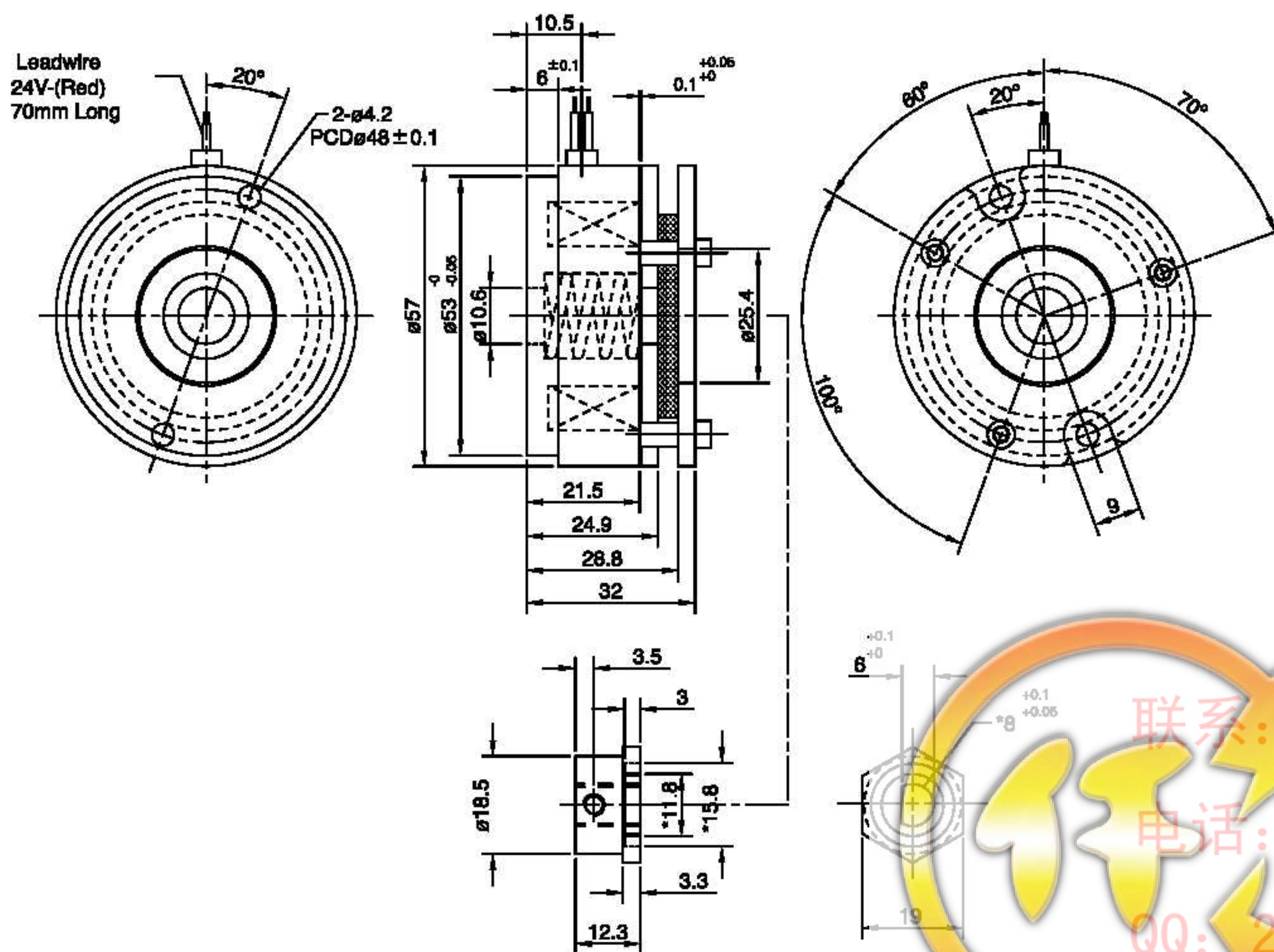


ALSOS2AW

安全煞車器 Safety Brake

產品規格表 SPECIFICATIONS:

型號 Model	電壓 D.C. Voltage	阻抗 D.C. Resistance	功率 Power	絕緣等級 Insulation Classification	動摩擦轉矩 Dynamic Friction Torque kgm(Nm)	靜摩擦轉矩 Static Friction Torque kgm(Nm)	絕緣阻抗 Insulation Resistance	絕緣耐壓 Insulation Pressure Durability	作動電壓 Dynamic Voltage	間隙 (mm) Gap	重量 (kg) Weight
ALSOS2AW	24V	58Ω	10W	F	0.18(1.8)	2.0(2.0)	500VDC/50MΩ以上	1500V/1MA/1SEC	16V	0.1-0.18	0.45



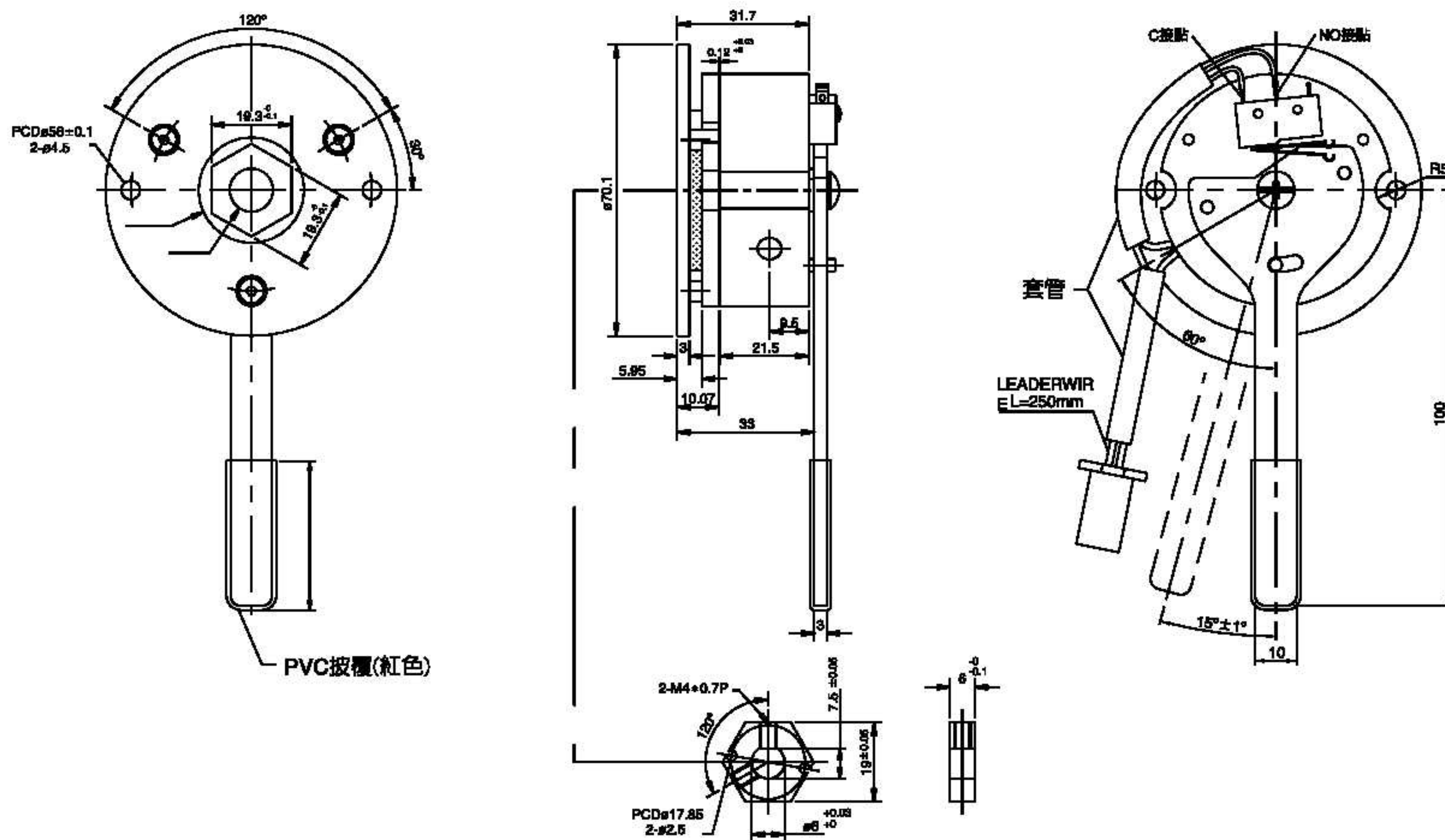
联系: 严生
电话: 15112136402
QQ: 250048681
15112136402 250048681
全部现货供应

ALYOS3AF

安全煞車器-釋放手柄 Safety Brake - Handle Release

產品規格表 SPECIFICATIONS:

型號 Model	電壓D.C. Voltage	阻抗D.C. Resistance	功率 Power	絕緣等級 Insulation Classification	動摩擦轉矩 Dynamic Friction Torque kgm(Nm)	靜摩擦轉矩 Static Friction Torque kgm(Nm)	絕緣阻抗 Insulation Resistance	絕緣耐壓 Insulation Pressure Durability	作動電壓 Dynamic Voltage	間隙 (mm) Gap	重量 (kg) Weight
ALYOS3AF	24V	52Ω	10.8W	F	0.3(3.0)	0.35(3.5)	500VDC/50MΩ以上	1500V/1MA/1SEC	16V	0.1-0.15	0.5

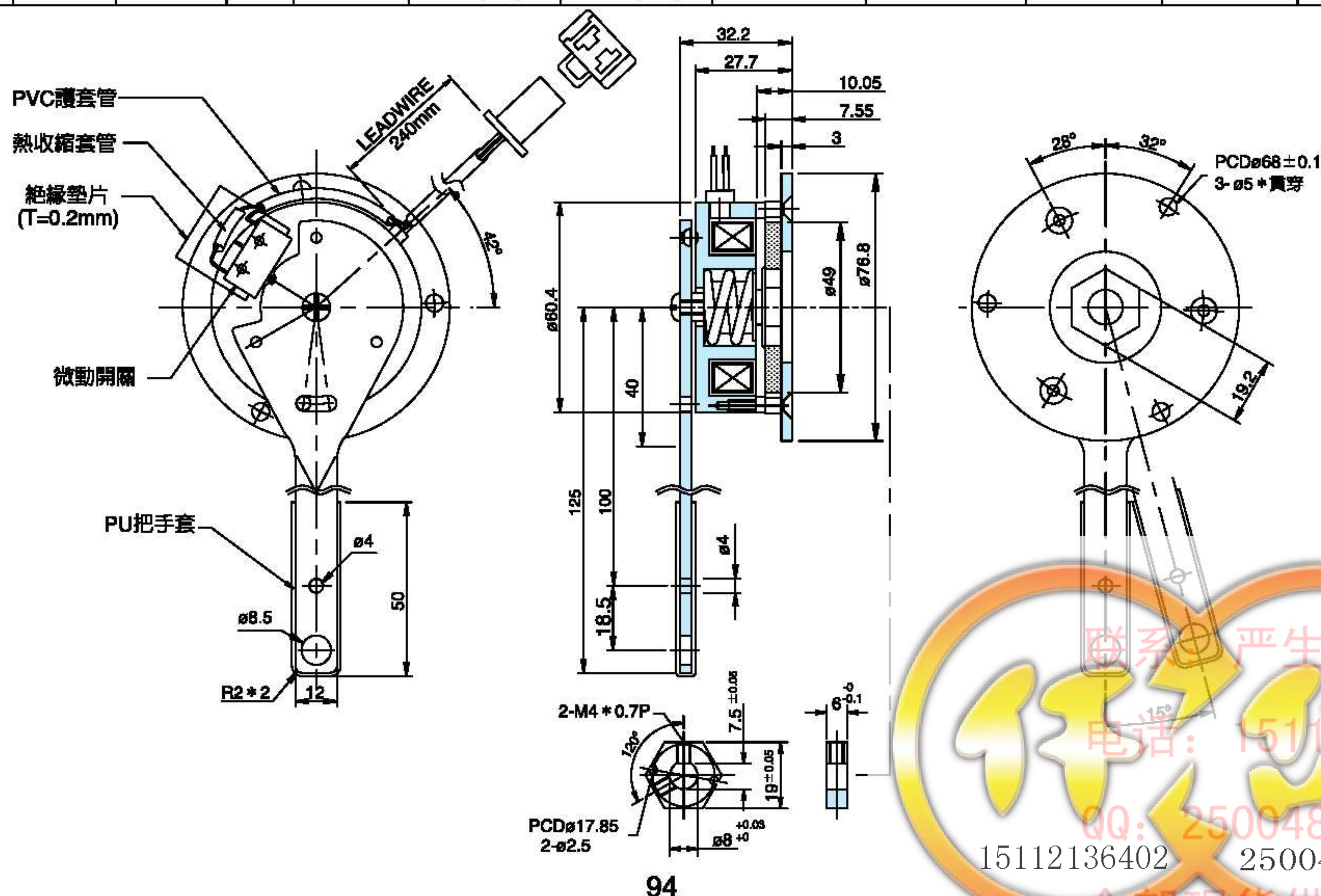


ALYOS4AA

安全煞車器-釋放手柄 Safety Brake- Handle Release

產品規格表 SPECIFICATIONS:

型號 Model	電壓D.C. Voltage	阻抗D.C. Resistance	功率 Power	絕緣等級 Insulation Classification	動摩擦轉矩 Dynamic Friction Torque kgm(Nm)	靜摩擦轉矩 Static Friction Torque kgm(Nm)	絕緣阻抗 Insulation Resistance	絕緣耐壓 Insulation Pressure Durability	作動電壓 Dynamic Voltage	間隙 (mm) Gap	重量 (kg) Weight
ALYOS4AA	24V	46Ω	12W	F	0.4(4.0)	0.45(4.5)	500VDC/50MΩ以上	1500V/1MA/1SEC	16V	0.13-0.18	0.6

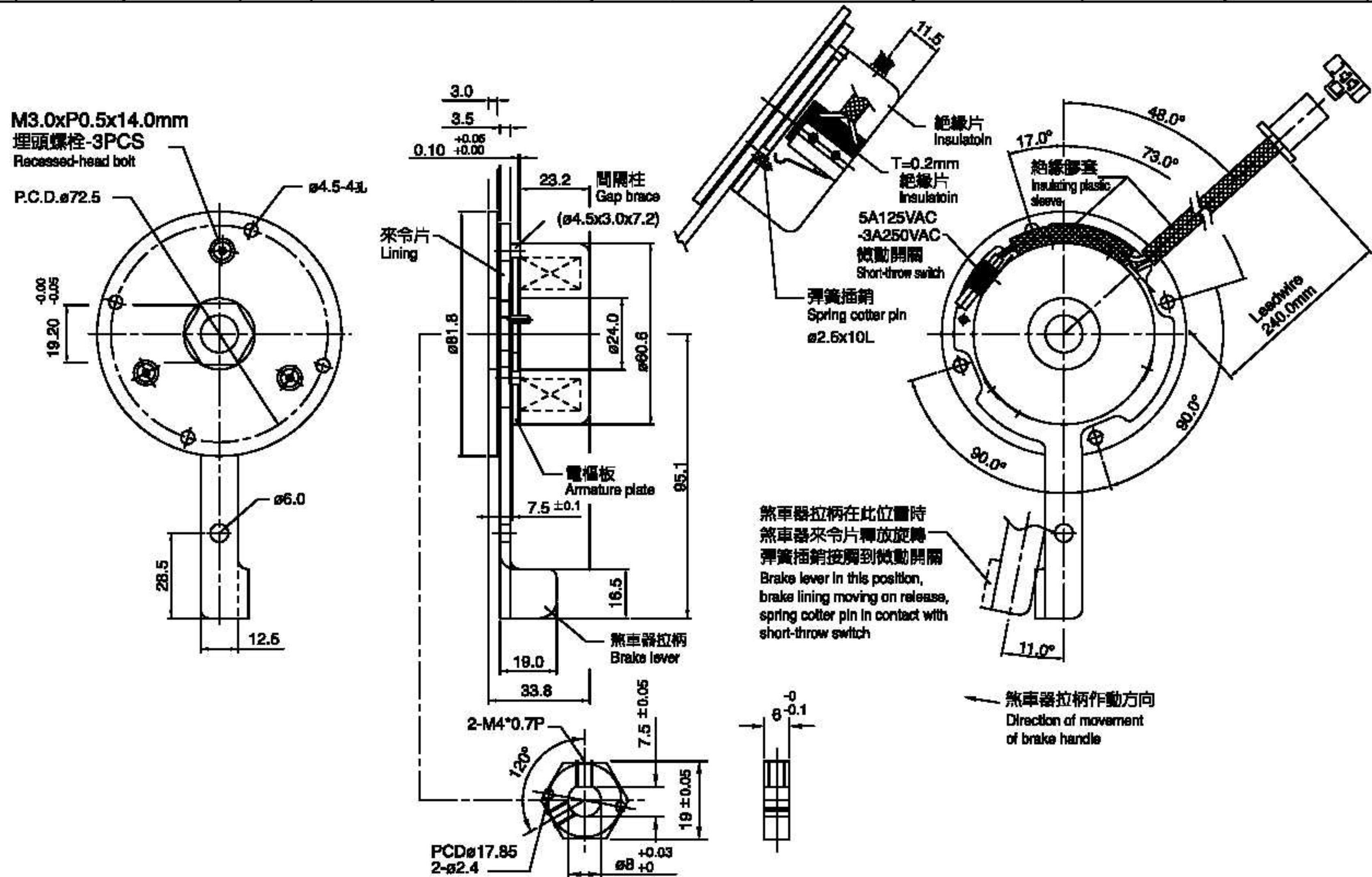


ALYOS4MB

安全煞車器-釋放手柄 Safety Brake - Handle Release

產品規格表 SPECIFICATIONS:

型號 Model	電壓D.C. Voltage	阻抗D.C. Resistance	功率 Power	絕緣等級 Insulation Classification	動摩擦轉距 Dynamic Friction Torque kgm(Nm)	靜摩擦轉距 Static Friction Torque kgm(Nm)	絕緣阻抗 Insulation Resistance	絕緣耐壓 Insulation Pressure Durability	作動電壓 Dynamic Voltage	間隙 (mm) Gap	重量 (kg) Weight
ALYOS4MB	24V	35.8Ω	16W	F	0.35(3.5)	0.4(4.0)	500VDC/50MΩ以上	1500V/1MA/1SEC	16V	0.13-0.18	0.8

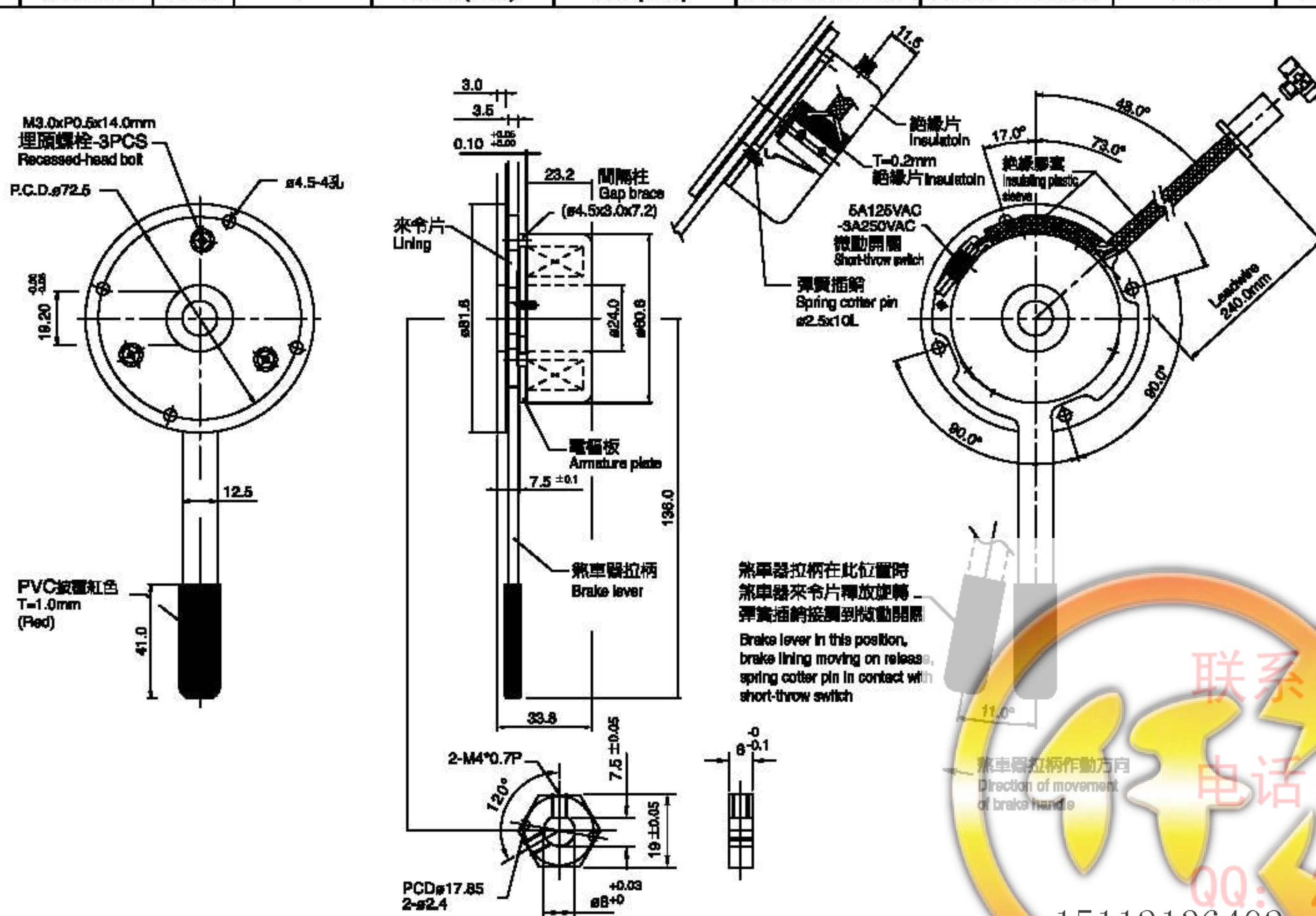


ALYOS4MA

安全煞車器-釋放手柄 Safety Brake - Handle Release

產品規格表 SPECIFICATIONS:

型號 Model	電壓D.C. Voltage	阻抗D.C. Resistance	功率 Power	絕緣等級 Insulation Classification	動摩擦轉距 Dynamic Friction Torque kgm(Nm)	靜摩擦轉距 Static Friction Torque kgm(Nm)	絕緣阻抗 Insulation Resistance	絕緣耐壓 Insulation Pressure Durability	作動電壓 Dynamic Voltage	間隙 (mm) Gap	重量 (kg) Weight
ALYOS4MB	24V	35.8Ω	16W	F	0.35(3.5)	0.4(4.0)	500VDC/50MΩ以上	1500V/1MA/1SEC	16V	0.13-0.18	0.8



联系: 严生
电话: 15112136402
QQ: 250048681
15112136402 250048681
全部现货供应

