

C18

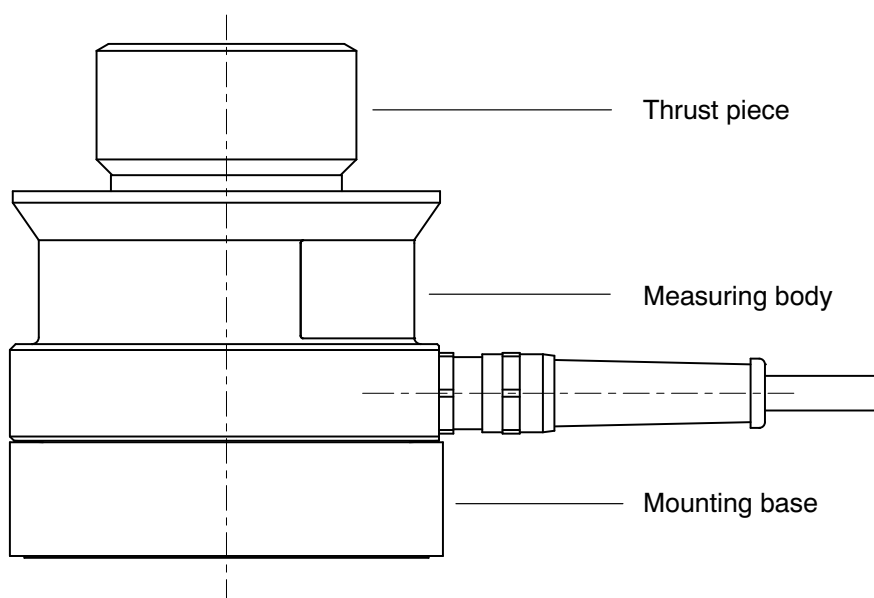
Force Transducer



Special features

- Compressive force transducer
- Nominal (rated) forces
10 kN to 5 MN
- Compact dimensions
- Low weight
- Delivery includes force
application parts
- Classification option with DKD
calibration certificate to
ISO 376: Class 0.5

C18 force transducer concept



Specifications

Type	C18						
Data per VDI 2638							
Nominal (rated) force	F_{nom}	kN	10 – 200	300	500 – 1000	2000 – 3000	5000
Class to ISO 376 (0.2 F_{nom} to F_{nom}) ¹⁾			0.5				
Nominal (rated) sensitivity	C_{nom}	mV/V	2				
Rel. sensitivity error (compression)	d_C	%	0.1				
Relative zero signal error	$d_{s,0}$	%	1				
Relative zero error (zero signal return) ¹⁾	f_0	%	0.012	0.024			
Hysteresis error (0.2 F_{nom} to F_{nom}) ¹⁾	u	%	0.08				
Relative reproducibility and repeatability errors (0.2 F_{nom} to F_{nom}) for: a constant mounting position ¹⁾ varying mounting positions ¹⁾	b_l b	% %	0.04 0.08				
Non-linearity	d_{lin}	%	0.05				
Effect of temperature on sensitivity, per 10 K related to nominal (rated) sensitivity	TK_C	%	0.01				
Effect of temperature on zero signal, per 10 K related to nominal (rated) sensitivity	TK_0	%	0.01				
Effect of lateral forces (lateral force 10% F_{nom}) ²⁾	d_Q	%	0.035	0.1	0.15		
Effect of eccentricity per mm	d_E	%	0.02				
Relative creep over 30 min	d_{crF+E}	%	0.03				
Input resistance	R_i	Ω	4450 ± 100				
Output resistance	R_o	Ω	4010 ± 2				
Insulation resistance	R_{is}	Ω	> 50 x 10 ⁹				
Reference excitation voltage	U_{ref}	V	5				
Operating range of excitation voltage	$B_{U,G,T}$	V	5 to 30				
Carrier frequency of excitation voltage		Hz	≤ 600				
Nominal (rated) temperature range	$B_{t,nom}$	°C	+10 to +40				
Operating temperature range	$B_{t,G}$	°C	-30 to +80				
Storage temperature range	$B_{t,S}$	°C	-50 to +85				
Reference temperature	t_{ref}	°C	+22				
Max. operating force	(F_G)	%	170		150	135	
Limit force	(F_L)	%	170		150	135	
Breaking force	(F_B)	%	400		320	290	
Static lateral limit force ²⁾	(F_Q)	%	0.27 · F_{nom} ; (to $F_z \leq 0.5 \cdot F_{nom}$) 0.45 · ($F_{nom} - 0.8 \cdot F_z$); (for $F_z > 0.5 \cdot F_{nom}$) (F_z = force in direction of measurement)				

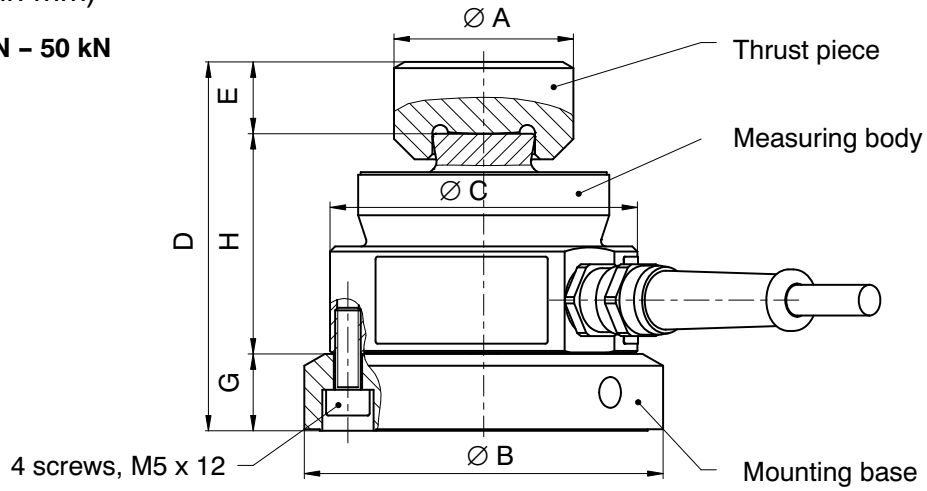
¹⁾ Class 0.5 to ISO 376, classification only guaranteed in conjunction with a DKD calibration certificate to ISO 376.

²⁾ Relative to a force application point on the force application surface of the measuring body.

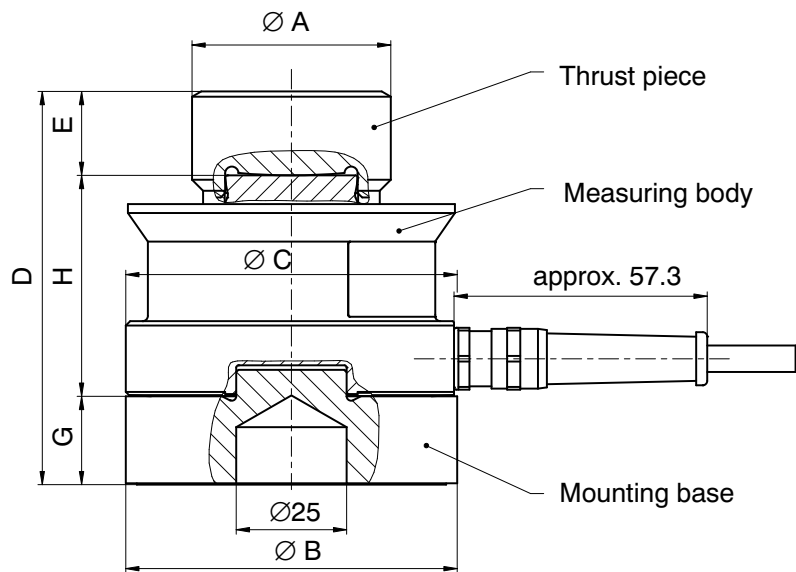
Nominal (rated) force	F_{nom}	kN	10	20	50	100	200	300	500	1000	2000	3000	5000
Nominal (rated) displacement	S_{nom}	mm	0.13	0.11	0.13	0.17	0.19	0.23	0.26	0.45	0.62	0.79	1.08
Total weight		kg	1.2	1.2	1.2	2.3	2.3	3.9	10.4	15.3	45.6	52.6	90.4
Rel. permissible vibrational stress	F_{rb}	%	70										
Degree of protection per EN 60529			IP68 (test conditions 1 m water column / 100 h)										
Cable length, four-wire configuration		m	5										
Measuring body material			stainless steel										

Dimensions (in mm)

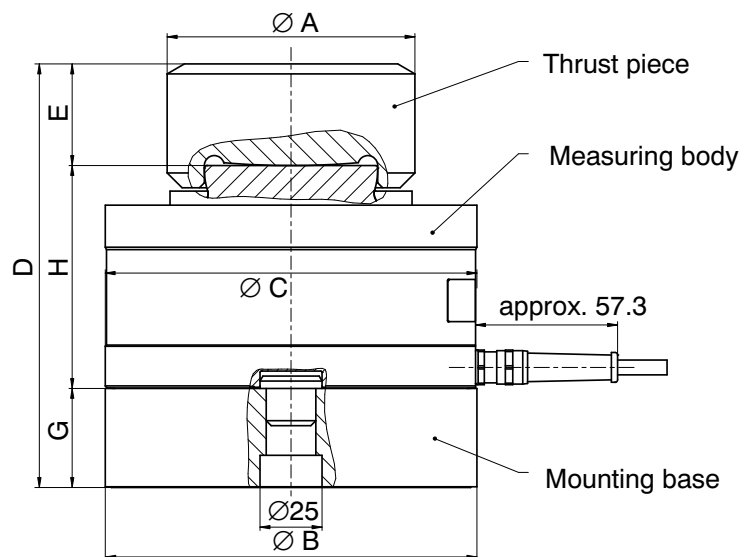
10 kN – 50 kN



100 kN – 500 kN



1 MN – 5 MN



Type	Ø A	Ø B	Ø C	D	E	G	H
C18 / 10 kN – 50 kN	35	70	60	72	14	15	43
C18 / 100 kN – 200 kN	45	75	75	89	19	20	50
C18 / 300 kN	58	95	95	112	27	20	65
C18 / 500 kN	85	130	130	157	35	37	85
C18 / 1 MN	100	150	150	171	41	40	90
C18 / 2 MN	135	230	225	239	59	50	130
C18 / 3 MN	135	230	225	254	59	50	145
C18 / 5 MN	160	275	270	303	73	60	170

Pin assignment



Scope of supply:

- C18 measuring body
- Thrust piece
- Mounting base
- Mounting instructions
- Manufacturing certificate

Modifications reserved.

All product descriptions are for general information only. They are not to be understood as a guarantee of quality or durability and do not constitute any liability whatsoever.

Hottinger Baldwin Messtechnik GmbH

Im Tiefen See 45 · 64293 Darmstadt · Germany
 Tel. +49 6151 803-0 · Fax: +49 6151 803-9100
 E-mail: info@hbm.com · www.hbm.com

measure and predict with confidence

