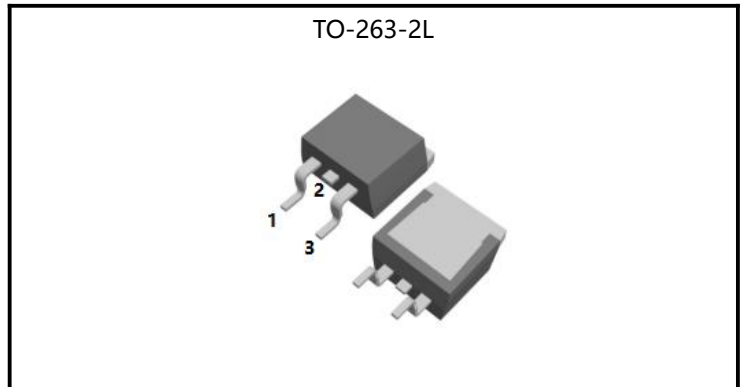


MOSFET

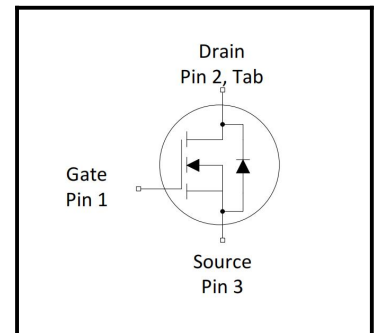
11 Amps,650 Volts N-Channel Super Junction Power MOSFET

FEATURE

- ◆ Low gate charge
- ◆ Low Ciss
- ◆ Fast switching
- ◆ 100% avalanche tested
- ◆ Improved dv/dt capability
- ◆ RoHS 2.0 Compliant



Parameter	Values	Unit
Bvdss	650	V
Id	11	A
Rdson(max)	0.38	Ω



Ordering Code	Marking	Package	Packaging
PWE380N65BS	E380N65BS	TO-263-2L	Tape and reel

Absolute Maximum Ratings($T_C=25^{\circ}\text{C}$, unless otherwise noted)

Parameter	Symbol	Values			Unit	Note/Test Conditions
		Min	Typ	Max		
Drain-Source Voltage	V_{DSS}	-	-	650	V	-
Gate-Source Voltage	V_{GS}	-20	-	20	V	-
Continuous Drain Current(Package Limited)	I_D	-	-	11	A	$T_C=25^{\circ}\text{C}$
		-	-	6.6	A	$T_C=100^{\circ}\text{C}$
Pulsed Drain Current(Note1)	I_{DM}	-	-	44	A	-
Single Pulse Avalanche Energy	E_{AS}	-	-	61	mJ	$L=10\text{mH}, V_D=50\text{V}, T_C=25^{\circ}\text{C}$
Maximum Power Dissipation	P_D	-	-	83	W	$T_C=25^{\circ}\text{C}$
Reverse Diode dV/dt (Note2)	dv/dt	-	-	15	V/ns	-
Operating Junction and Storage Temperature Range	T_J, T_{STG}	-55	-	150	$^{\circ}\text{C}$	-
Maximum lead temperature for soldering purposes, 1/8" from case for 5 seconds	T_L	-	-	260	$^{\circ}\text{C}$	-

Thermal Characteristics

Parameter	Symbol	Values			Unit	Note/Test Conditions
		Min	Typ	Max		
Thermal resistance , Channel to Case	$R_{th(ch-c)}$	-	-	1.5	$^{\circ}\text{C}/\text{W}$	-

Electrical Characteristics ($T_C=25^{\circ}\text{C}$, unless otherwise noted)

Static characteristics

Parameter	Symbol	Values			Unit	Note/Test Conditions
		Min	Typ	Max		
Drain-Source Breakdown Voltage	BV_{DSS}	650	-	-	V	$V_{GS}=0\text{V}, I_D=250\mu\text{A}$
Zero Gate Voltage Drain Current	I_{DSS}	-	-	1	μA	$V_{DS}=650\text{V}, V_{GS}=0\text{V}$
Gate-Body Leakage Current, Forward	I_{GSSF}	-	-	100	nA	$V_{GS}=20\text{V}, V_{DS}=0\text{V}$
Gate-Body Leakage Current, Reverse	I_{GSSR}	-	-	-100	nA	$V_{GS}=-20\text{V}, V_{DS}=0\text{V}$
Gate-Source Threshold Voltage	$V_{GS(th)}$	2.0	-	4.0	V	$V_{DS}=V_{GS}, I_D=250\mu\text{A}$
Drain-Source On-State Resistance	$R_{DS(on)}$	-	0.31	0.38	Ω	$V_{GS}=10\text{V}, I_D=5.5\text{A}$
Gate Resistance	R_g	-	9.9	-	Ω	$V_{GS}=0\text{V}, V_{DS}$ Open, $f=1\text{MHz}$
Forward Transconductance	g_{fs}	-	3.7	-	S	$V_{DS}=5\text{V}, I_D=5.5\text{A}$



Dynamic characteristics

Parameter	Symbol	Values			Unit	Note/Test Conditions
		Min	Typ	Max		
Input Capacitance	C_{iss}	-	736	-	pF	$V_{DS}=400V, V_{GS}=0V, f=500KHZ$
Output Capacitance	C_{oss}	-	871	-	pF	$V_{DS}=400V, V_{GS}=0V, f=500KHZ$
Reverse Transfer Capacitance	C_{rss}	-	33	-	pF	$V_{DS}=400V, V_{GS}=0V, f=500KHZ$
Turn-On Delay Time	$t_{d(on)}$	-	14.6	-	ns	$V_{DD}=375V, R_G=10\Omega, V_{GS}=10V, R_L=66\Omega$
Turn-On Rise Time	t_r	-	2.0	-	ns	$V_{DD}=375V, R_G=10\Omega, V_{GS}=10V, R_L=66\Omega$
Turn-Off Delay Time	$t_{d(off)}$	-	117.2	-	ns	$V_{DD}=375V, R_G=10\Omega, V_{GS}=10V, R_L=66\Omega$
Turn-Off Fall Time	t_f	-	21.2	-	ns	$V_{DD}=375V, R_G=10\Omega, V_{GS}=10V, R_L=66\Omega$

Gate charge characteristics

Parameter	Symbol	Values			Unit	Note/Test Conditions
		Min	Typ	Max		
Total Gate Charge	Q_g	-	21	-	nC	$V_{DS}=520V, I_D=11A, V_{GS}=10V$
Gate-Source Charge	Q_{gs}	-	6.1	-	nC	$V_{DS}=520V, I_D=11A, V_{GS}=10V$
Gate-Drain Charge	Q_{gd}	-	9.5	-	nC	$V_{DS}=520V, I_D=11A, V_{GS}=10V$

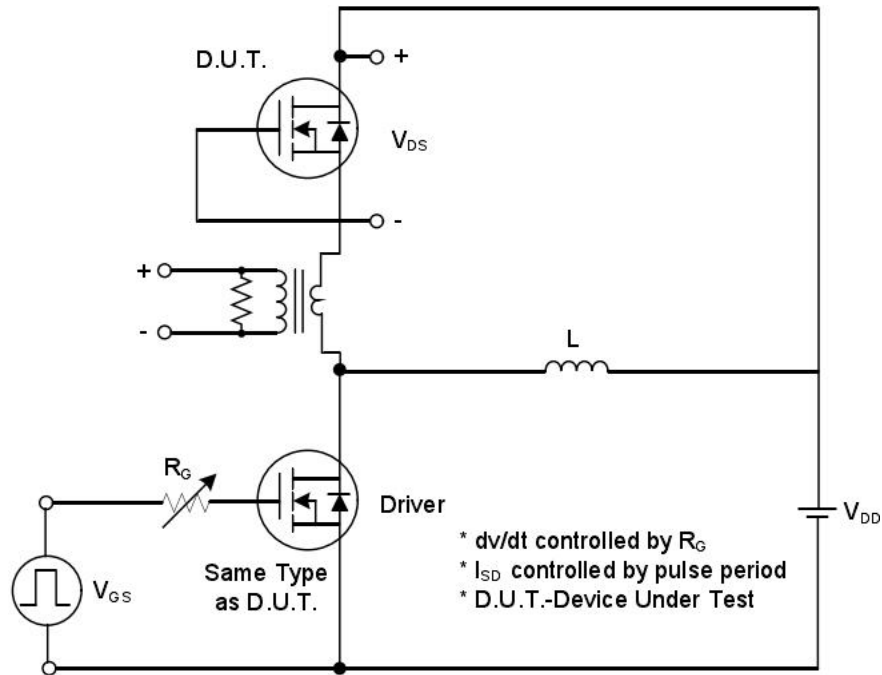
Reverse diode

Parameter	Symbol	Values			Unit	Note/Test Conditions
		Min	Typ	Max		
Continuous Diode Forward Current	I_S	-	-	11	A	-
Pulsed Diode Forward Current	I_{SM}	-	-	44	A	-
Diode Forward Voltage	V_{SD}	-	-	1.5	V	$I_S=5.5A, V_{GS}=0V$
Reverse Recovery Time	t_{rr}	-	314	-	ns	$V_D=35V, I_F=10A$
Reverse Recovery Charge	Q_{rr}	-	3.65	-	μC	$di/dt=100A/\mu s, (Note2)$

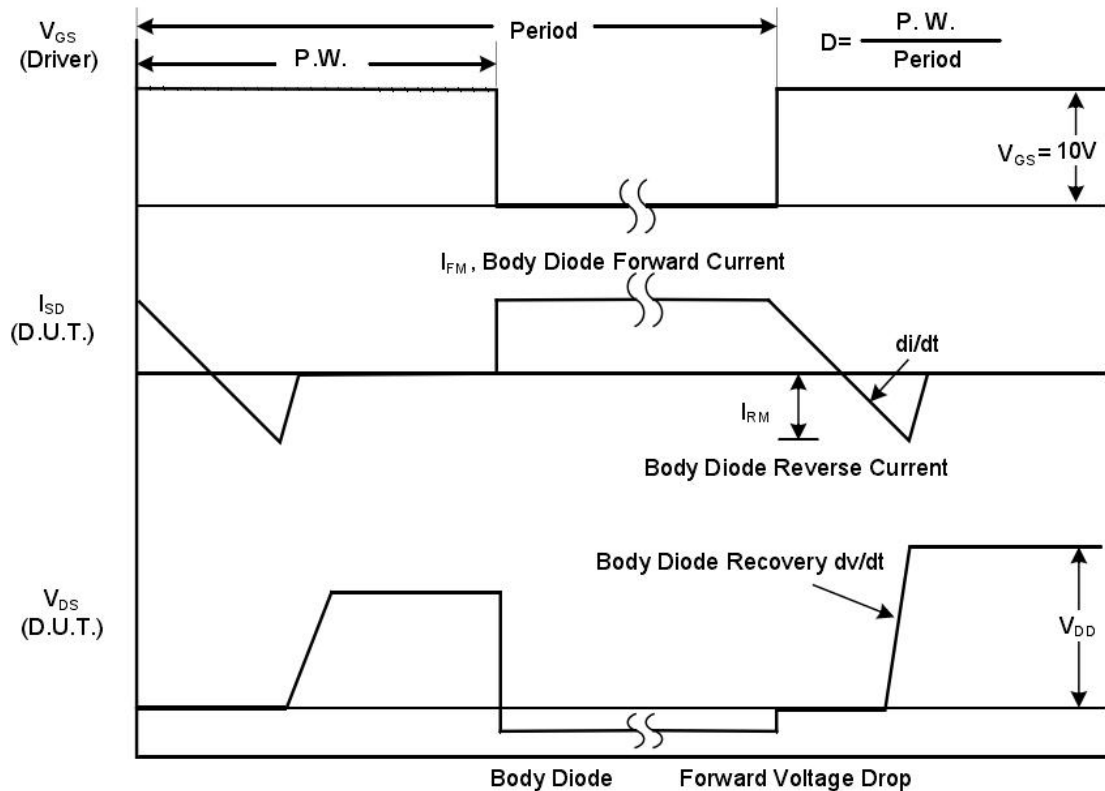
Notes

1. Repetitive Rating:pulse width limited by maximum junction temperature.
2. Pulse width $\leq 300\mu s$,duty cycle $\leq 2\%$.

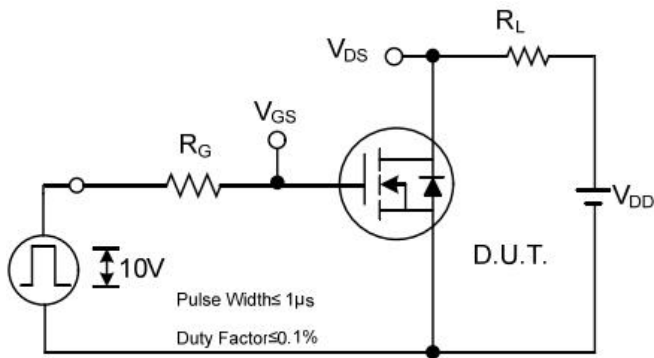
RATING AND CHARACTERISTIC CURVES



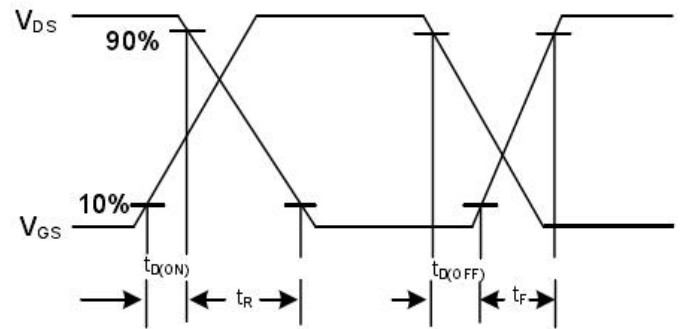
Peak Diode Recovery dv/dt Test Circuit



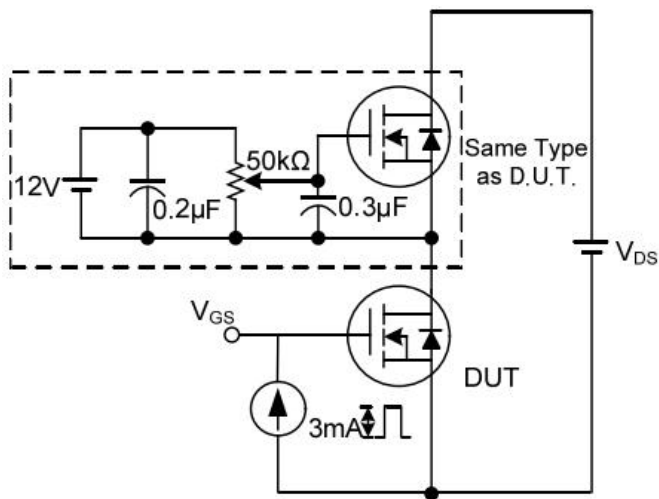
Peak Diode Recovery dv/dt Waveforms



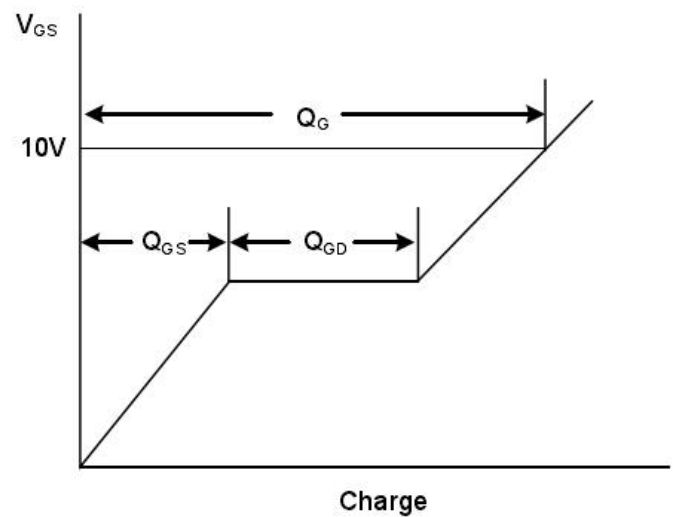
Switching Test Circuit



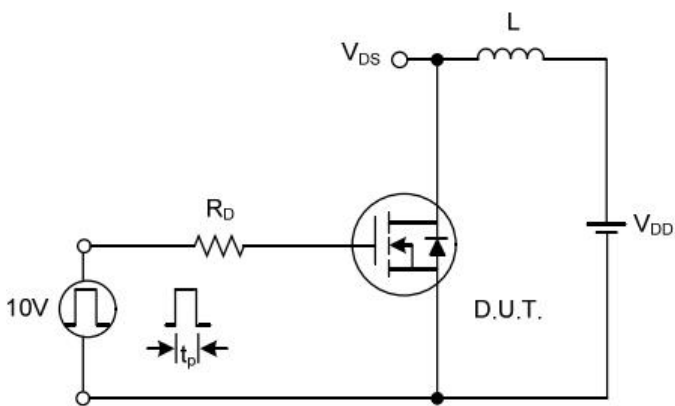
Switching Waveforms



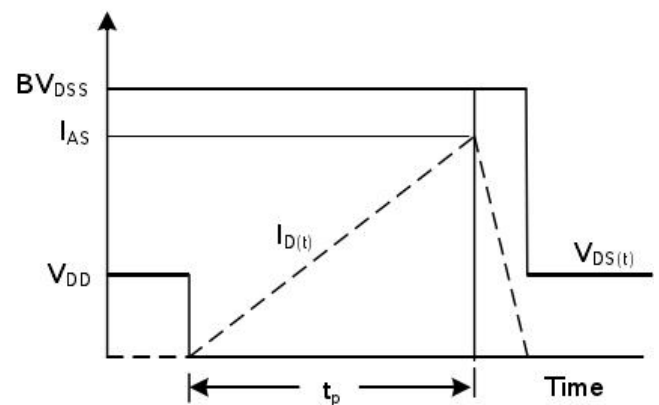
Gate Charge Test Circuit



Gate Charge Waveform



Unclamped Inductive Switching Test Circuit



Unclamped Inductive Switching Waveforms



RATING AND CHARACTERISTIC CURVES

Figure.1 Typical Output Characteristics

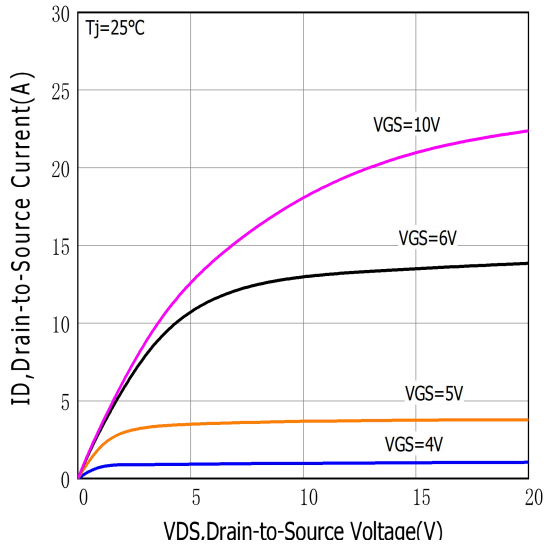


Figure.2 Typical Gate Charge vs Gate to Source Voltage

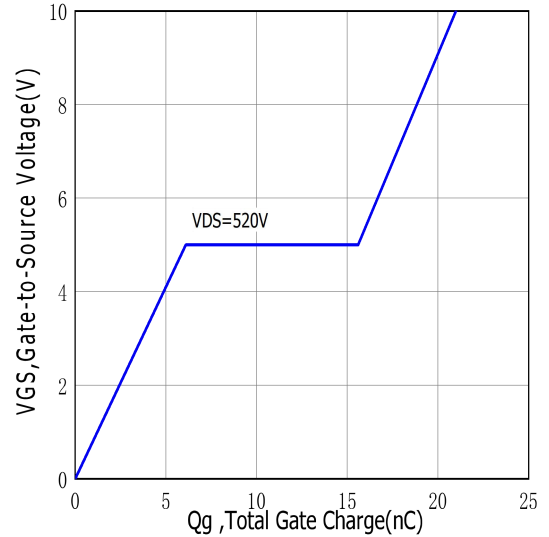


Figure.3 Typical Body Diode Transfer Characteristics

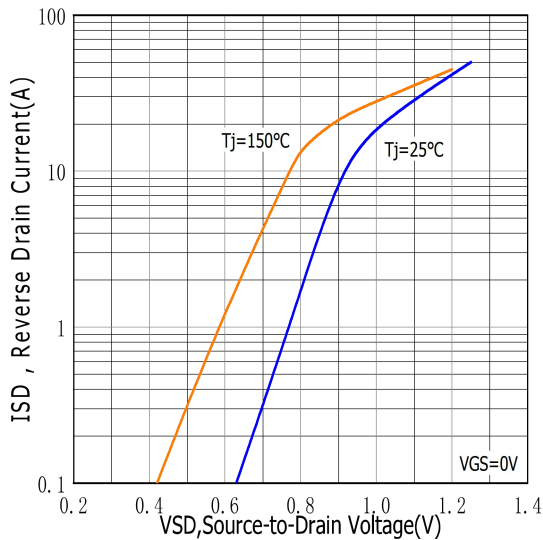


Figure.4 Typical Capacitance vs Drain to Source Voltage

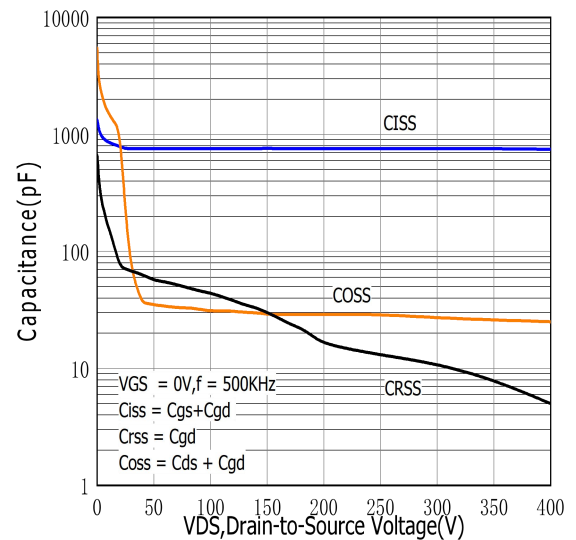




Figure.5 Typical Breakdown Voltage vs Junction Temperature

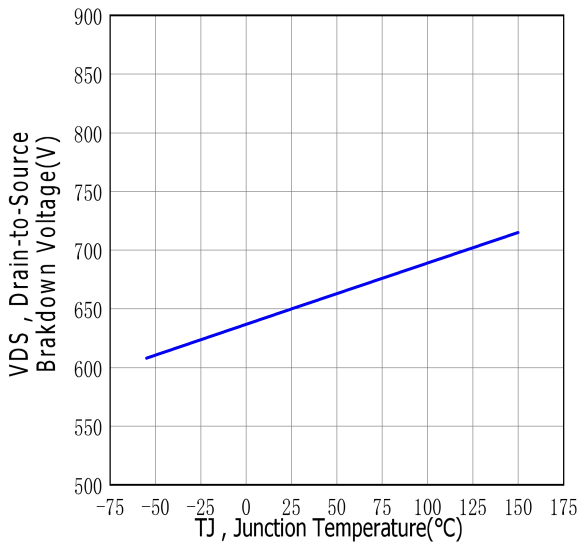


Figure.6 Typical Drain to Source on Resistance vs Junction Temperature

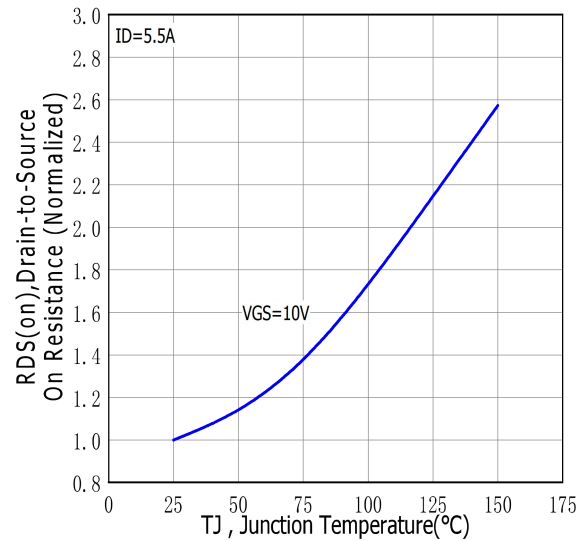


Figure.7 Maximum Forward Bias Safe Operating Area

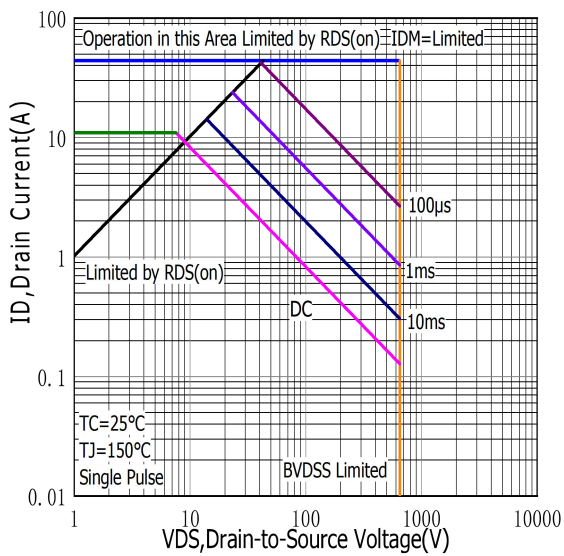
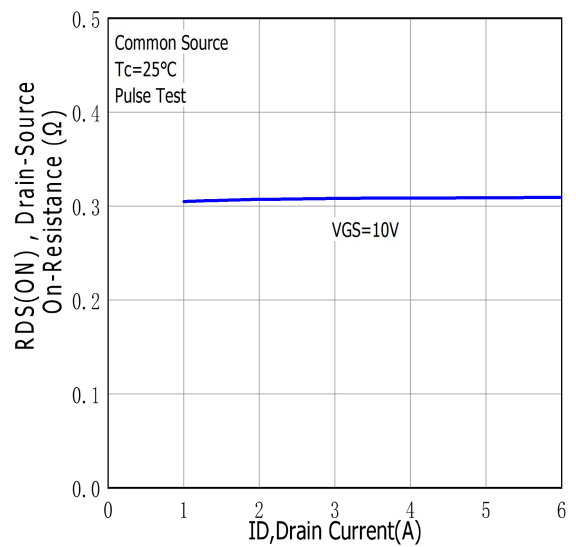


Figure.8 Typical Drain to Source ON Resistance vs Drain Current



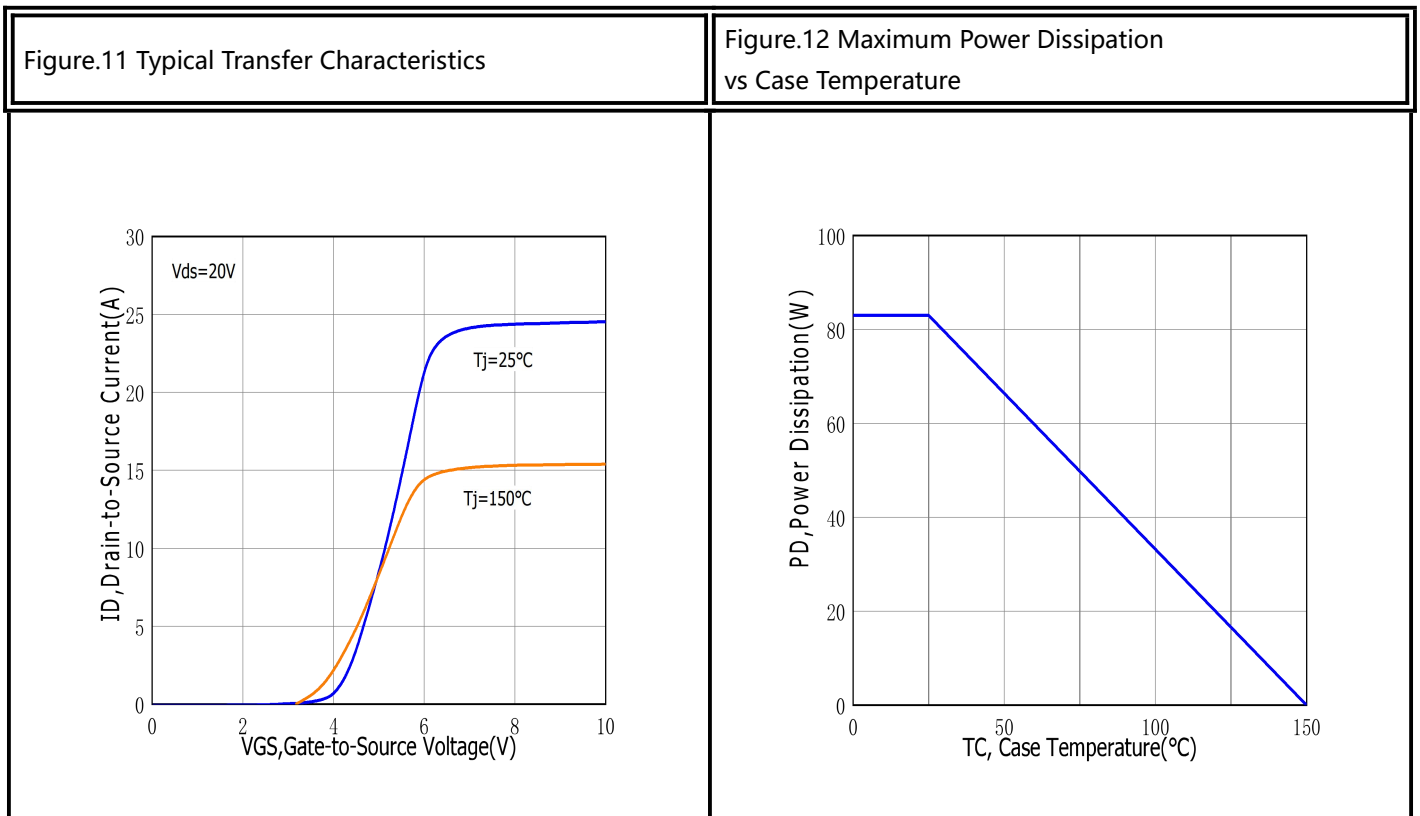
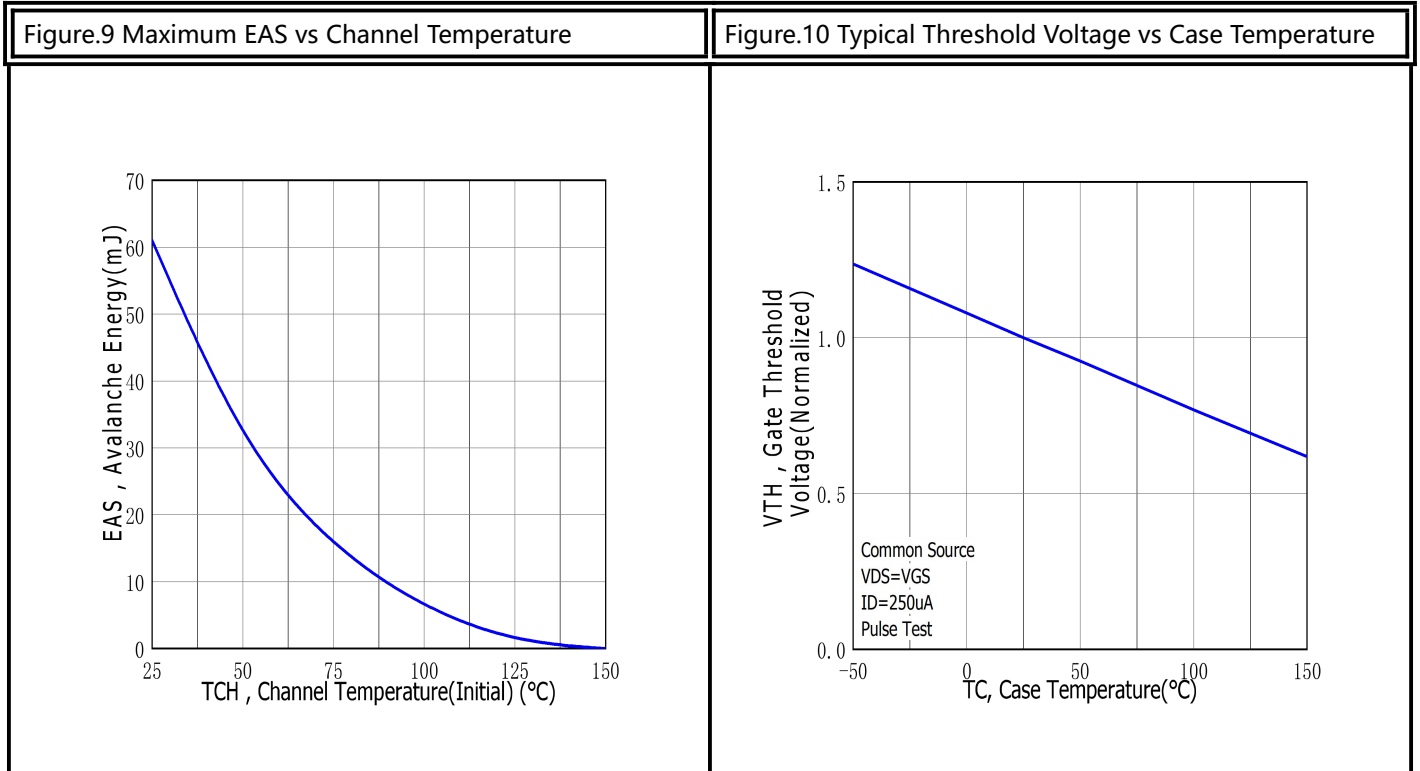
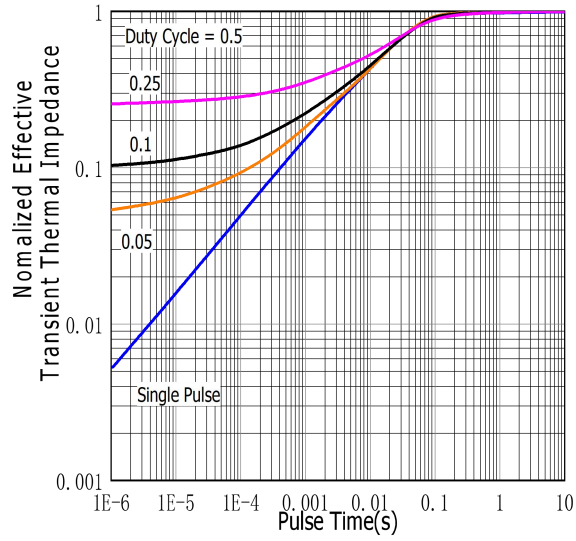
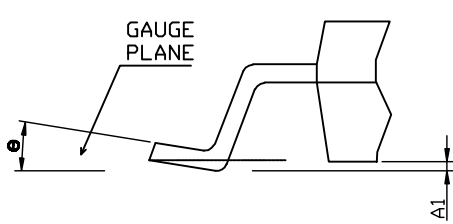
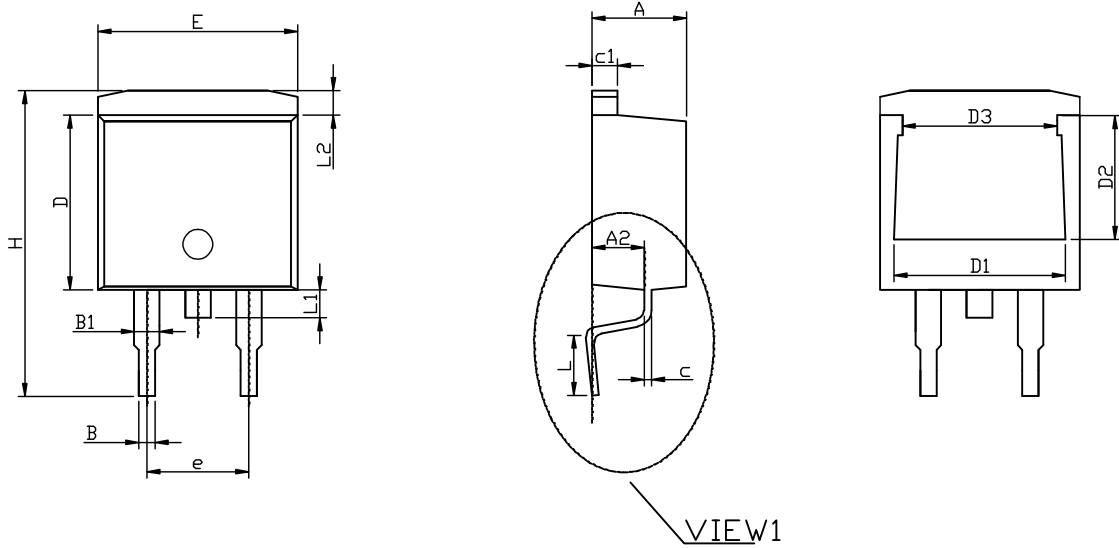




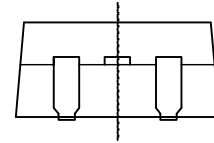
Figure.13 Maximum Effective Thermal Impedance , Junction to Case



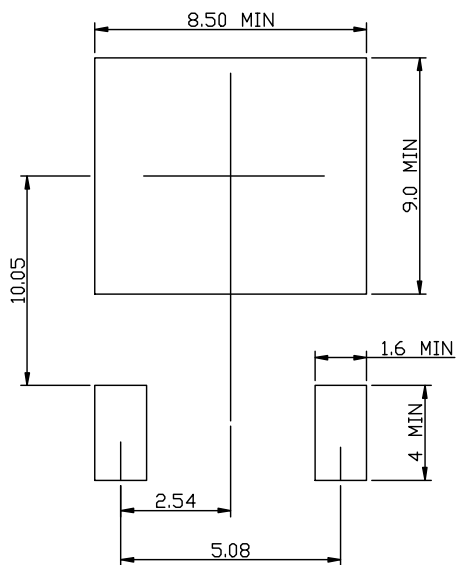
TO-263-2L PACKAGE OUTLINE



VIEW1



RECOMMENDED LAND PATTERN



	MIN	NOM	MAX
A	4.50	4.70	4.90
A1	0.05	0.15	0.30
A2	2.45	2.60	2.70
B	0.72	0.82	0.92
B1	1.12	1.27	1.42
c	0.28	0.38	0.48
c1	1.17	1.27	1.37
D	8.46	8.66	8.86
D1	7.90	8.10	8.40
D2	5.50	5.70	5.90
D3	7.10	7.30	7.50
E	9.85	10.15	10.45
e		5.08BCS	
H	14.75	15.15	15.55
L	2.30	2.55	2.80
L1	1.20	1.40	1.60
L2	1.01	1.23	1.50
θ	0°	7°	8°

UNIT: mm