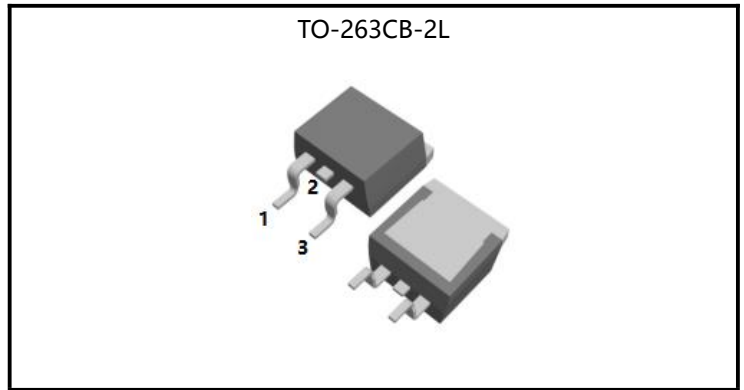


MOSFET

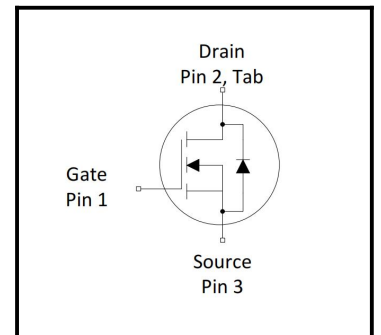
160 Amps, 100 Volts N-CHANNEL MOSFET

FEATURE

- ◆ Low gate charge
- ◆ Low Ciss
- ◆ Fast switching
- ◆ 100% avalanche tested
- ◆ Improved dv/dt capability
- ◆ RoHS 2.0 Compliant



| Parameter | Values | Unit |
|------------|--------|------|
| Bvdss | 100 | V |
| Id | 160 | A |
| Rdson(max) | 3.2 | mΩ |



| Ordering Code | Marking | Package | Packaging |
|---------------|-------------|-------------|---------------|
| PW032N10CBS | PW032N10CBS | TO-263CB-2L | Tape and reel |

Absolute Maximum Ratings($T_C=25^{\circ}\text{C}$, unless otherwise noted)

| Parameter | Symbol | Values | | | Unit | Note/Test Conditions |
|--|----------------|--------|-----|-----|--------------------|--|
| | | Min | Typ | Max | | |
| Drain-Source Voltage | V_{DSS} | - | - | 100 | V | - |
| Gate-Source Voltage | V_{GS} | -20 | - | 20 | V | - |
| Continuous Drain Current(Package Limited) | I_D | - | - | 160 | A | $T_C=25^{\circ}\text{C}$ |
| | | - | - | 96 | A | $T_C=100^{\circ}\text{C}$ |
| Pulsed Drain Current(Note1) | I_{DM} | - | - | 640 | A | - |
| Single Pulse Avalanche Energy | E_{AS} | - | - | 315 | mJ | $L=0.5\text{mH}, V_D=50\text{V}, T_C=25^{\circ}\text{C}$ |
| Maximum Power Dissipation | P_D | - | - | 208 | W | $T_C=25^{\circ}\text{C}$ |
| Operating Junction and Storage Temperature Range | T_J, T_{STG} | -55 | - | 150 | $^{\circ}\text{C}$ | - |
| Maximum lead temperature for soldering purposes, 1/8"from case for 5 seconds | T_L | - | - | 260 | $^{\circ}\text{C}$ | - |

Thermal Characteristics

| Parameter | Symbol | Values | | | Unit | Note/Test Conditions |
|--------------------------------------|----------------|--------|-----|-----|-----------------------------|----------------------|
| | | Min | Typ | Max | | |
| Thermal resistance , Channel to Case | $R_{th(ch-c)}$ | - | - | 0.6 | $^{\circ}\text{C}/\text{W}$ | - |

Electrical Characteristics ($T_C=25^{\circ}\text{C}$, unless otherwise noted)

Static characteristics

| Parameter | Symbol | Values | | | Unit | Note/Test Conditions |
|------------------------------------|--------------|--------|-----|------|------------------|--|
| | | Min | Typ | Max | | |
| Drain-Source Breakdown Voltage | BV_{DSS} | 100 | - | - | V | $V_{GS}=0\text{V}, I_D=250\mu\text{A}$ |
| Zero Gate Voltage Drain Current | I_{DSS} | - | - | 1 | μA | $V_{DS}=100\text{V}, V_{GS}=0\text{V}$ |
| Gate-Body Leakage Current, Forward | I_{GSSF} | - | - | 100 | nA | $V_{GS}=20\text{V}, V_{DS}=0\text{V}$ |
| Gate-Body Leakage Current, Reverse | I_{GSSR} | - | - | -100 | nA | $V_{GS}=-20\text{V}, V_{DS}=0\text{V}$ |
| Gate-Source Threshold Voltage | $V_{GS(th)}$ | 2.0 | - | 4.0 | V | $V_{DS}=V_{GS}, I_D=250\mu\text{A}$ |
| Drain-Source On-State Resistance | $R_{DS(on)}$ | - | 2.6 | 3.2 | $\text{m}\Omega$ | $V_{GS}=10\text{V}, I_D=20\text{A}$ |
| Gate Resistance | R_g | - | 1.2 | - | Ω | $V_{GS}=0\text{V}, V_{DS}$ Open, $f=1\text{MHz}$ |
| Forward Transconductance | g_{fs} | - | 15 | - | S | $V_{DS}=5\text{V}, I_D=20\text{A}$ |

Dynamic characteristics

| Parameter | Symbol | Values | | | Unit | Note/Test Conditions |
|------------------------------|--------------|--------|-------|-----|------|---|
| | | Min | Typ | Max | | |
| Input Capacitance | C_{iss} | - | 8954 | - | pF | $V_{DS}=25V, V_{GS}=0V, f=1.0MHz$ |
| Output Capacitance | C_{oss} | - | 2501 | - | pF | $V_{DS}=25V, V_{GS}=0V, f=1.0MHz$ |
| Reverse Transfer Capacitance | C_{rss} | - | 95 | - | pF | $V_{DS}=25V, V_{GS}=0V, f=1.0MHz$ |
| Turn-On Delay Time | $t_{d(on)}$ | - | 49.8 | - | ns | $V_{DD}=50V, R_G=10\Omega, V_{GS}=10V, R_L=1\Omega$ |
| Turn-On Rise Time | t_r | - | 95.6 | - | ns | $V_{DD}=50V, R_G=10\Omega, V_{GS}=10V, R_L=1\Omega$ |
| Turn-Off Delay Time | $t_{d(off)}$ | - | 117.4 | - | ns | $V_{DD}=50V, R_G=10\Omega, V_{GS}=10V, R_L=1\Omega$ |
| Turn-Off Fall Time | t_f | - | 74.2 | - | ns | $V_{DD}=50V, R_G=10\Omega, V_{GS}=10V, R_L=1\Omega$ |

Gate charge characteristics

| Parameter | Symbol | Values | | | Unit | Note/Test Conditions |
|--------------------|----------|--------|-------|-----|------|-----------------------------------|
| | | Min | Typ | Max | | |
| Total Gate Charge | Q_g | - | 142.7 | - | nC | $V_{DS}=80V, I_D=20A, V_{GS}=10V$ |
| Gate-Source Charge | Q_{gs} | - | 49.8 | - | nC | $V_{DS}=80V, I_D=20A, V_{GS}=10V$ |
| Gate-Drain Charge | Q_{gd} | - | 27.8 | - | nC | $V_{DS}=80V, I_D=20A, V_{GS}=10V$ |

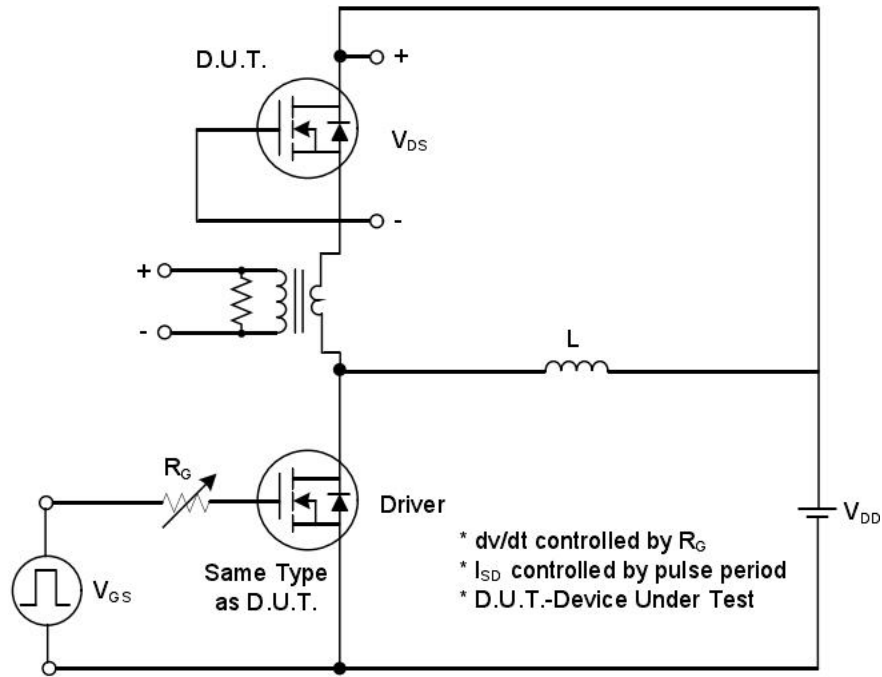
Reverse diode

| Parameter | Symbol | Values | | | Unit | Note/Test Conditions |
|----------------------------------|----------|--------|-------|-----|------|-----------------------------|
| | | Min | Typ | Max | | |
| Continuous Diode Forward Current | I_S | - | - | 160 | A | - |
| Pulsed Diode Forward Current | I_{SM} | - | - | 640 | A | - |
| Diode Forward Voltage | V_{SD} | - | - | 1.2 | V | $I_S=20A, V_{GS}=0V$ |
| Reverse Recovery Time | t_{rr} | - | 105 | - | ns | $V_D=30V, I_F=1A$ |
| Reverse Recovery Charge | Q_{rr} | - | 181.6 | - | nC | $di/dt=100A/\mu s, (Note2)$ |

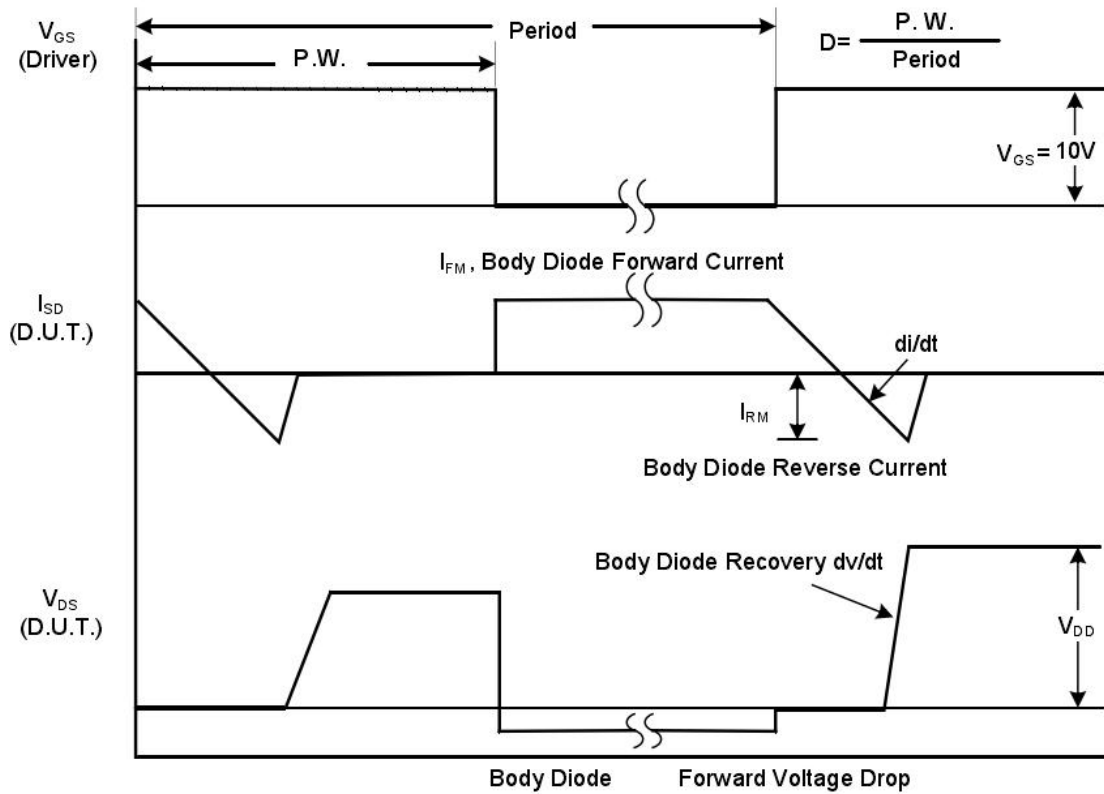
Notes

1. Repetitive Rating:pulse width limited by maximum junction temperature.
2. Pulse width $\leq 300\mu s$,duty cycle $\leq 2\%$.

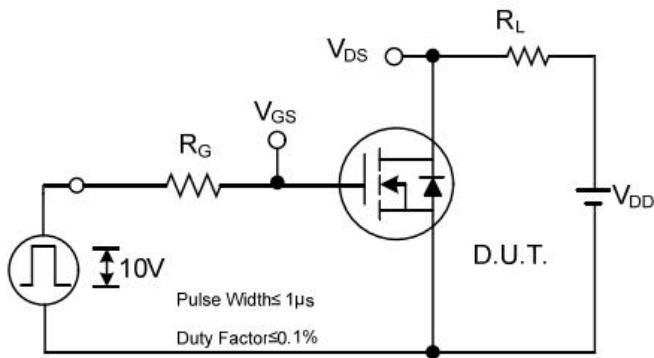
RATING AND CHARACTERISTIC CURVES



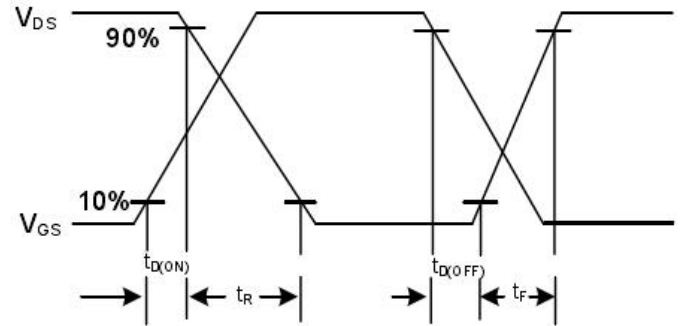
Peak Diode Recovery dv/dt Test Circuit



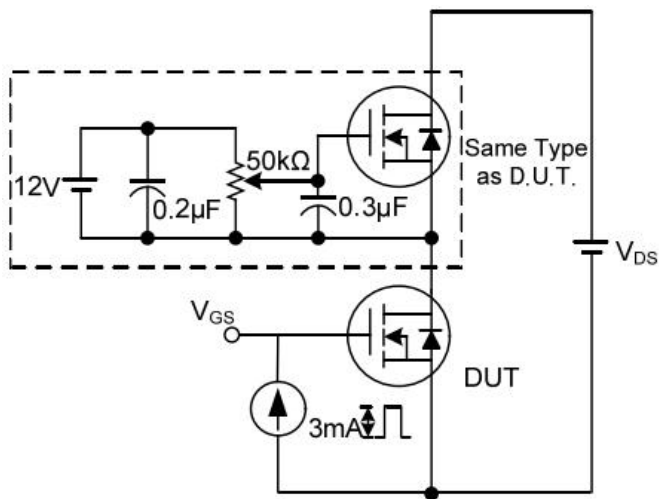
Peak Diode Recovery dv/dt Waveforms



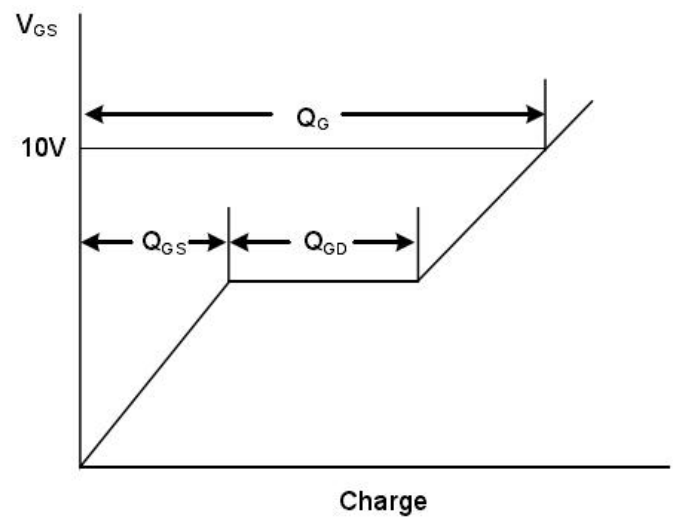
Switching Test Circuit



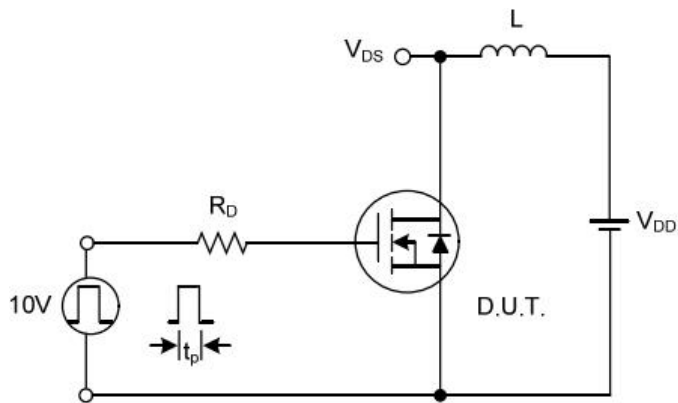
Switching Waveforms



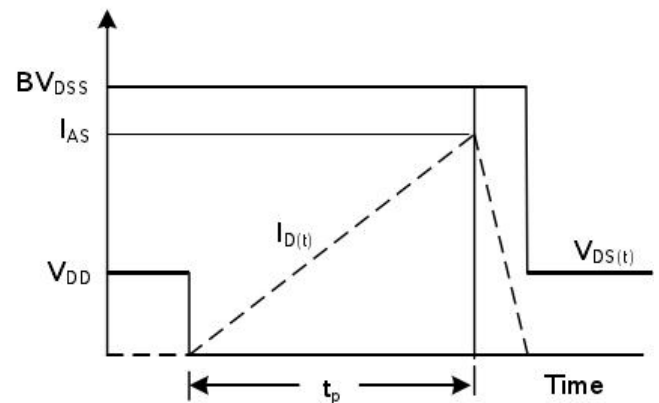
Gate Charge Test Circuit



Gate Charge Waveform



Unclamped Inductive Switching Test Circuit



Unclamped Inductive Switching Waveforms



RATING AND CHARACTERISTIC CURVES

Figure.1 Typical Output Characteristics

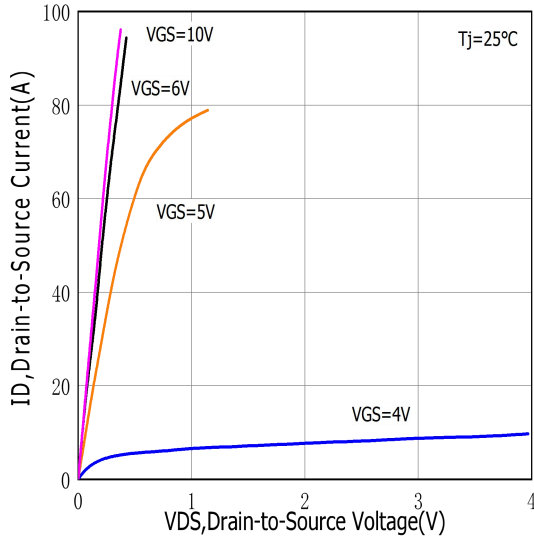


Figure.2 Typical Gate Charge vs Gate to Source Voltage

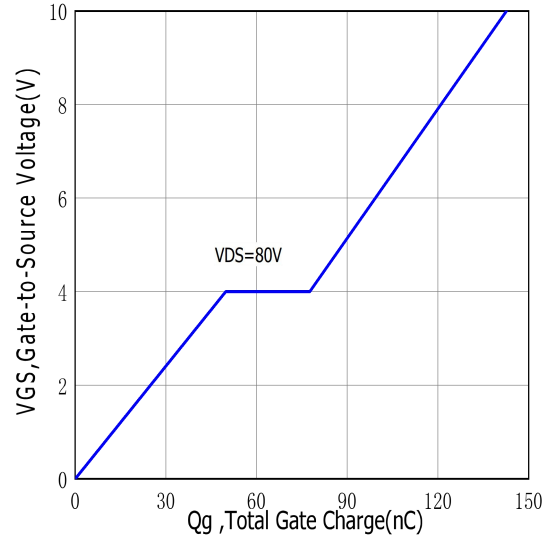


Figure.3 Typical Body Diode Transfer Characteristics

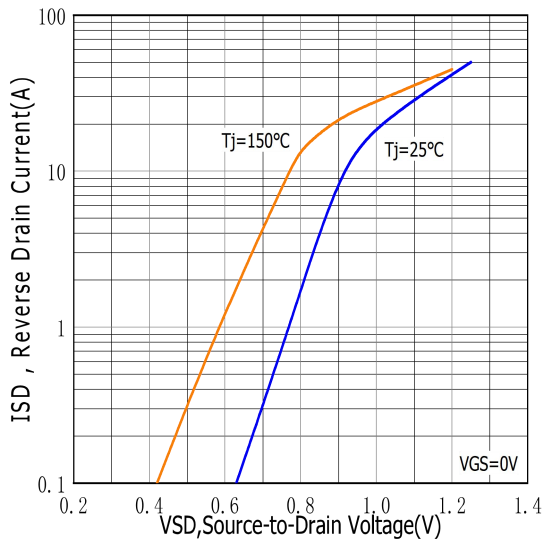
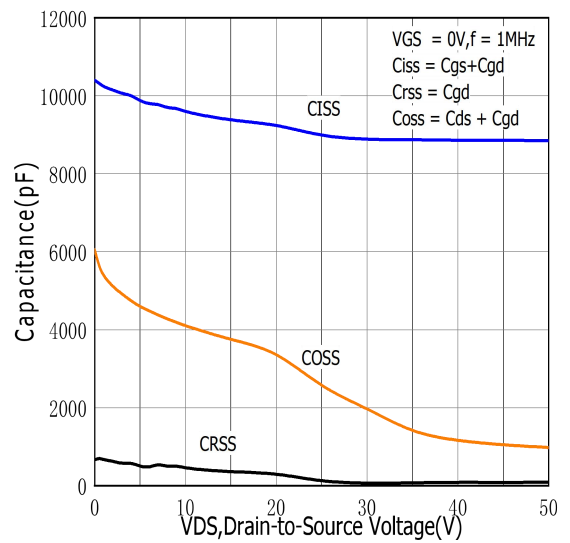
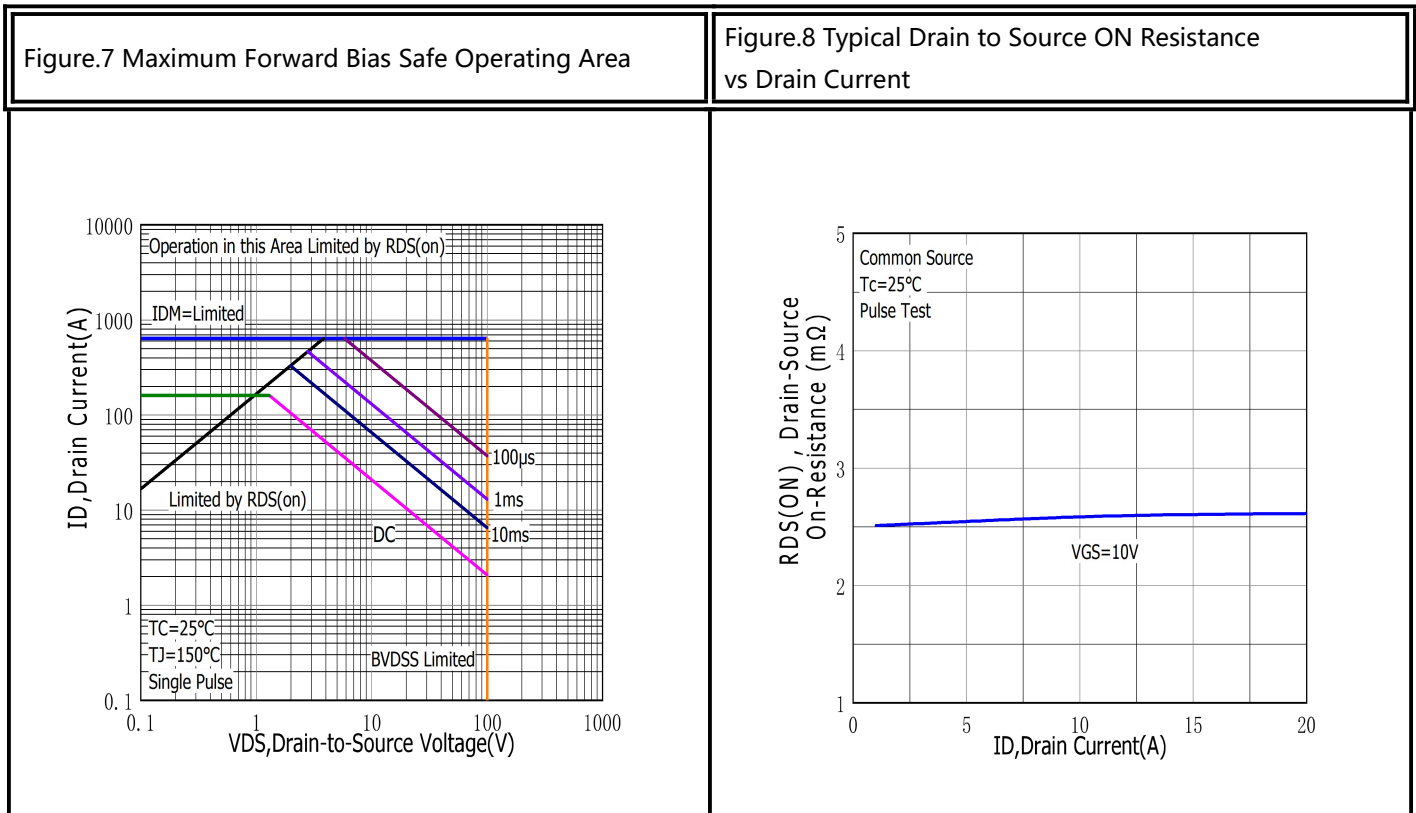
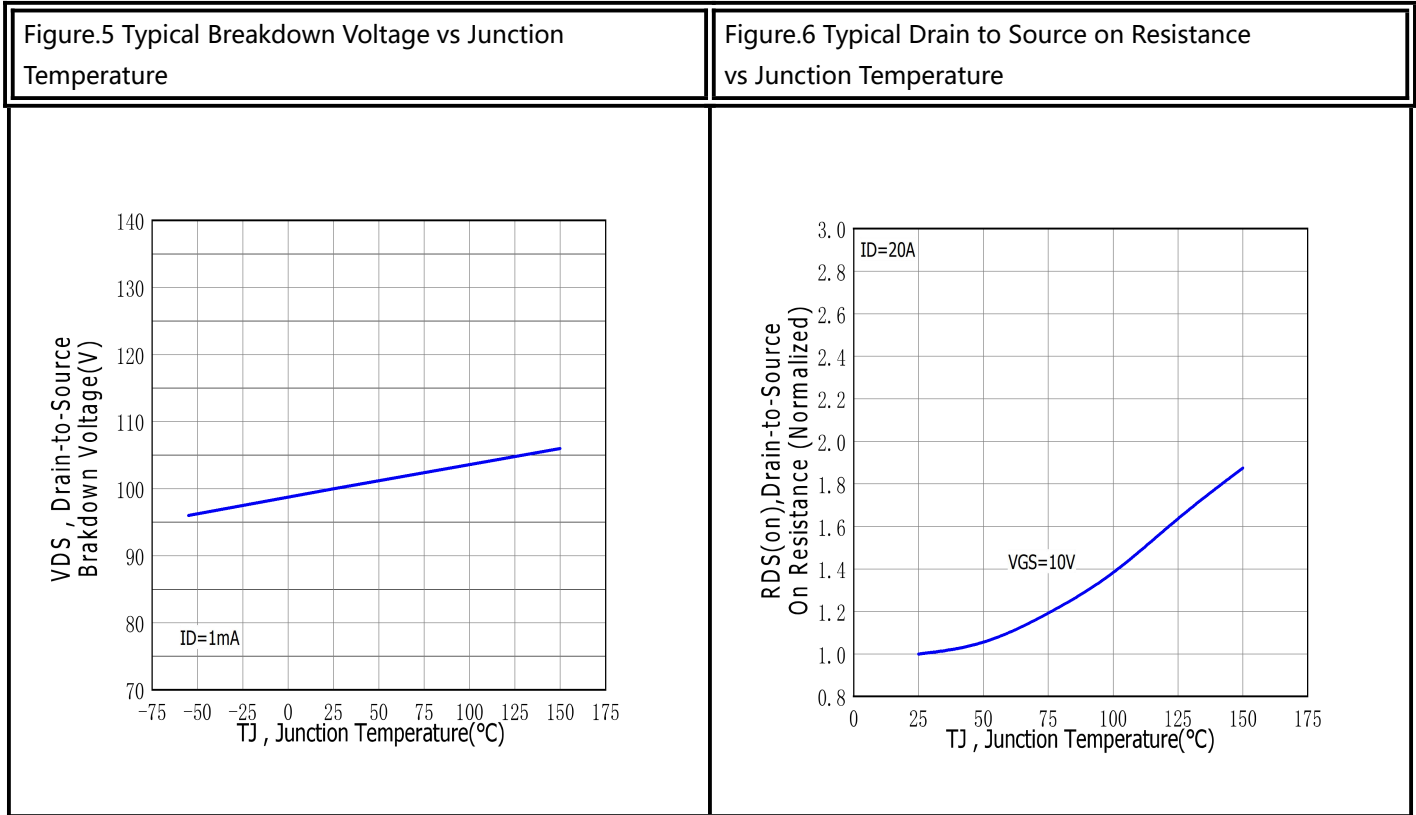


Figure.4 Typical Capacitance vs Drain to Source Voltage





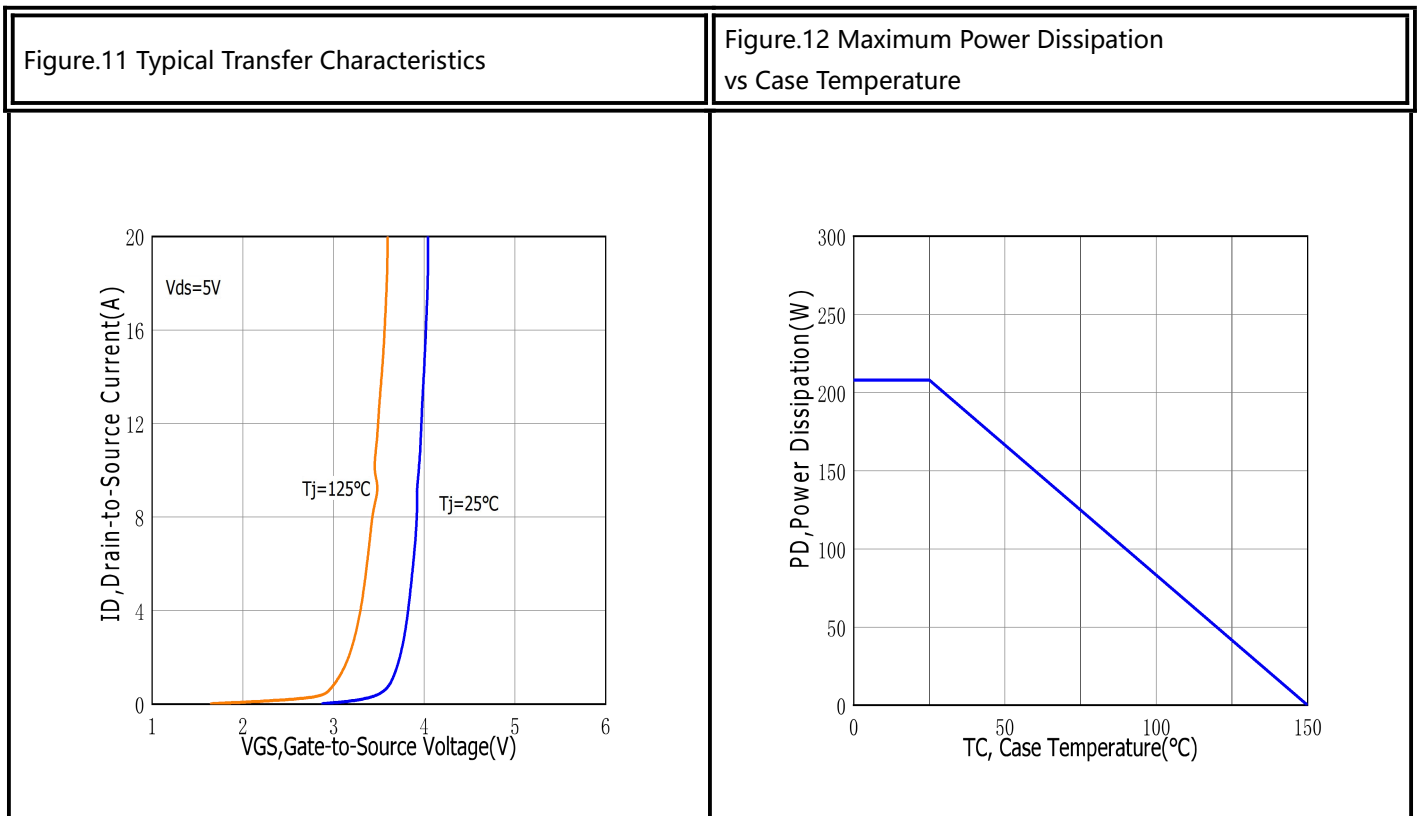
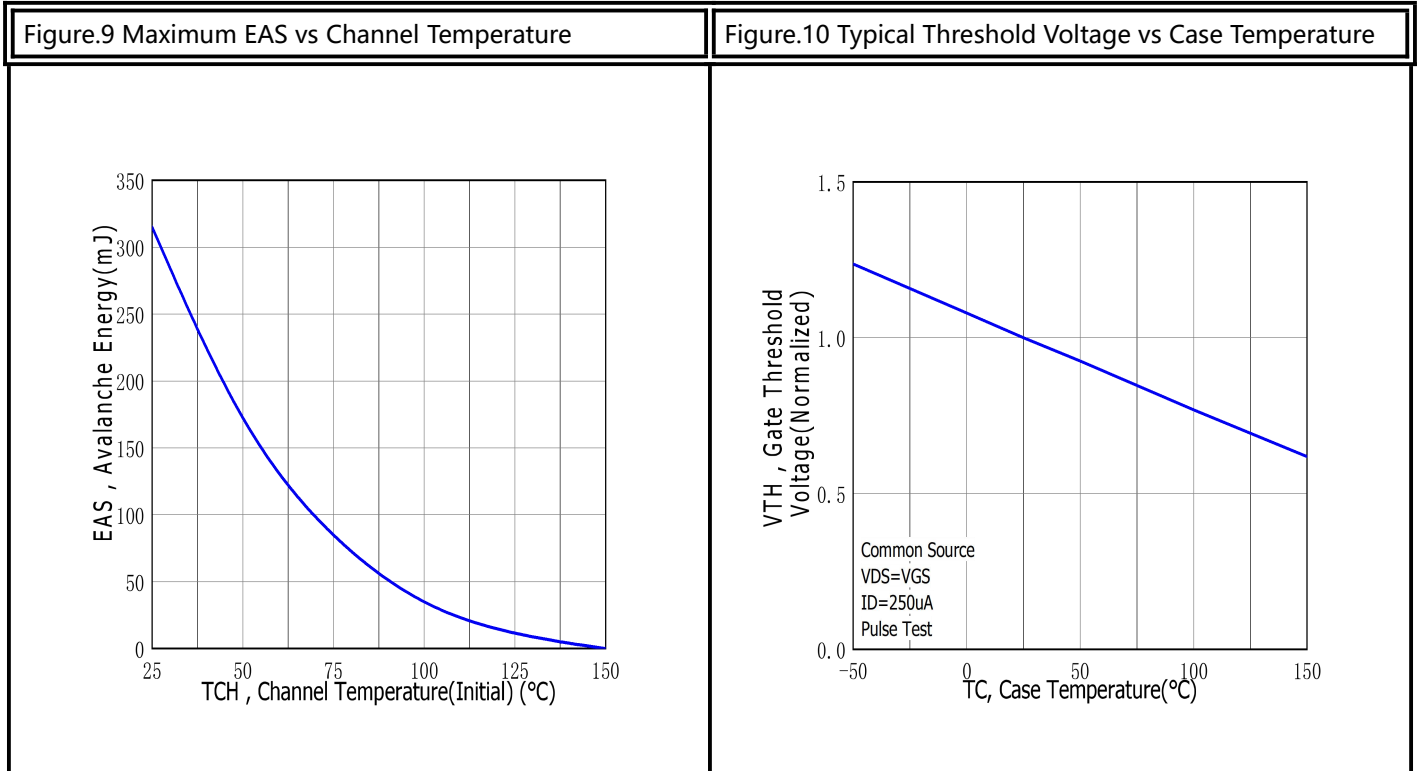
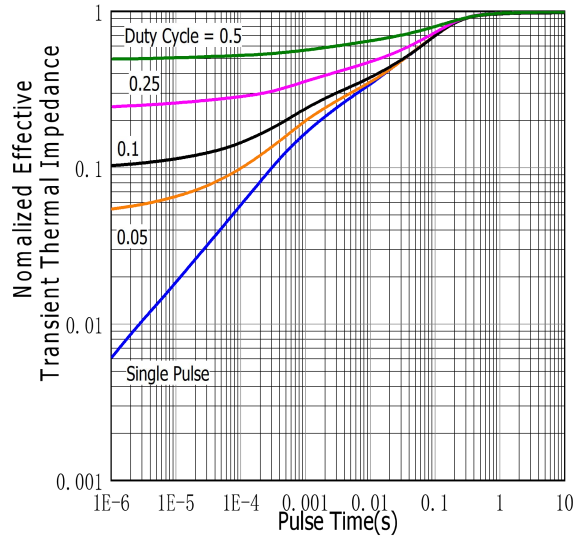
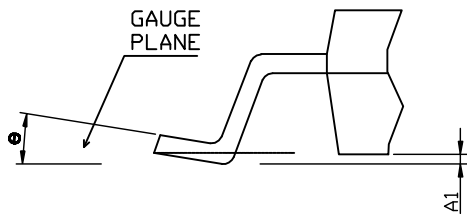
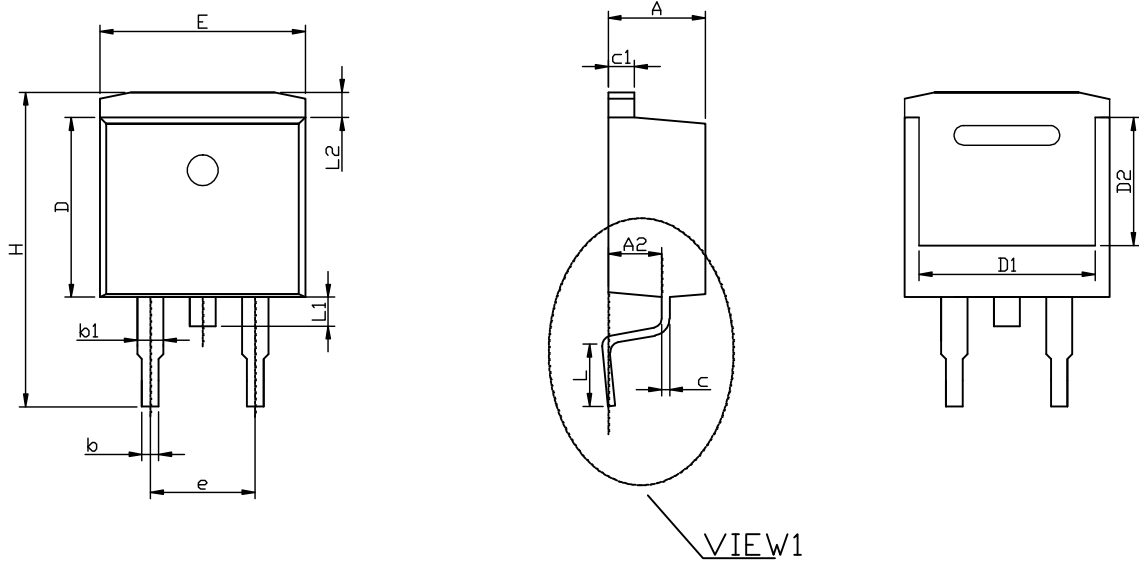




Figure.13 Maximum Effective Thermal Impedance , Junction to Case

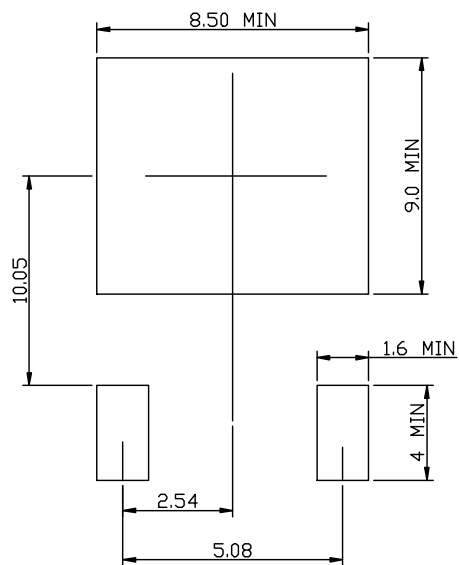


TO-263CB-2L PACKAGE OUTLINE



VIEW1

RECOMMENDED LAND PATTERN



| | MIN | NOM | MAX |
|----|-------|---------|-------|
| A | 4.40 | 4.60 | 4.80 |
| A1 | 0.05 | 0.15 | 0.30 |
| A2 | 2.25 | 2.40 | 2.55 |
| b | 0.72 | 0.82 | 0.92 |
| b1 | 1.12 | 1.27 | 1.42 |
| c | 0.40 | 0.50 | 0.60 |
| c1 | 1.20 | 1.30 | 1.40 |
| D | 8.80 | 9.10 | 9.40 |
| D1 | 7.75 | 7.95 | 8.15 |
| D2 | 6.55 | 6.75 | 6.95 |
| E | 9.65 | 10.00 | 10.35 |
| e | | 5.08BCS | |
| H | 14.70 | 15.10 | 15.60 |
| L | 2.30 | 2.45 | 2.60 |
| L1 | 1.20 | 1.40 | 1.60 |
| L2 | 0.95 | 1.10 | 1.30 |
| θ | 0° | 7° | 8° |

UNIT: mm